

# Owners Manual



MX

Motocross Version

STARK FUTURE



**STARK FUTURE'S MISSION  
IS TO LEAD THE WAY  
TOWARDS A SUSTAINABLE  
MOTORCYCLE INDUSTRY,  
BY REDUCING PLASTIC AND  
CO2 POLLUTION.  
THIS WILL BE ACHIEVED  
BY BUILDING SUSTAINABLE  
PRODUCTS THAT ARE  
SUPERIOR TO TRADITIONAL  
TECHNOLOGY IN TERMS OF  
PERFORMANCE, EMOTION  
AND DESIGN.**

# THE AMBITION

---

Inspire sustainability by offering a game-changing experience.

---

Limit global warming by reducing CO<sub>2</sub> pollution.

---

Save lives by reducing plastic pollution.

---

Be a leader in quality using sustainable materials.

---

Be a leader in performance, innovation and technical exploration.

---

Design functional and timelessly beautiful products.

---

Be great at sourcing, to make premium products available to more people.

---

Enhance user experience by persistently simplifying functionality.

# THE PHILOSOPHY

---

Stark Future's logo represents the company's full-circle mentality, sustainability and strive for perfection.

---

Uncompromising with results, the logo is 24 Karat gold to reflect the desire to be number 1.

---

Our work mentality is based upon three pillars:

---

We challenge the norm to improve how things are done.

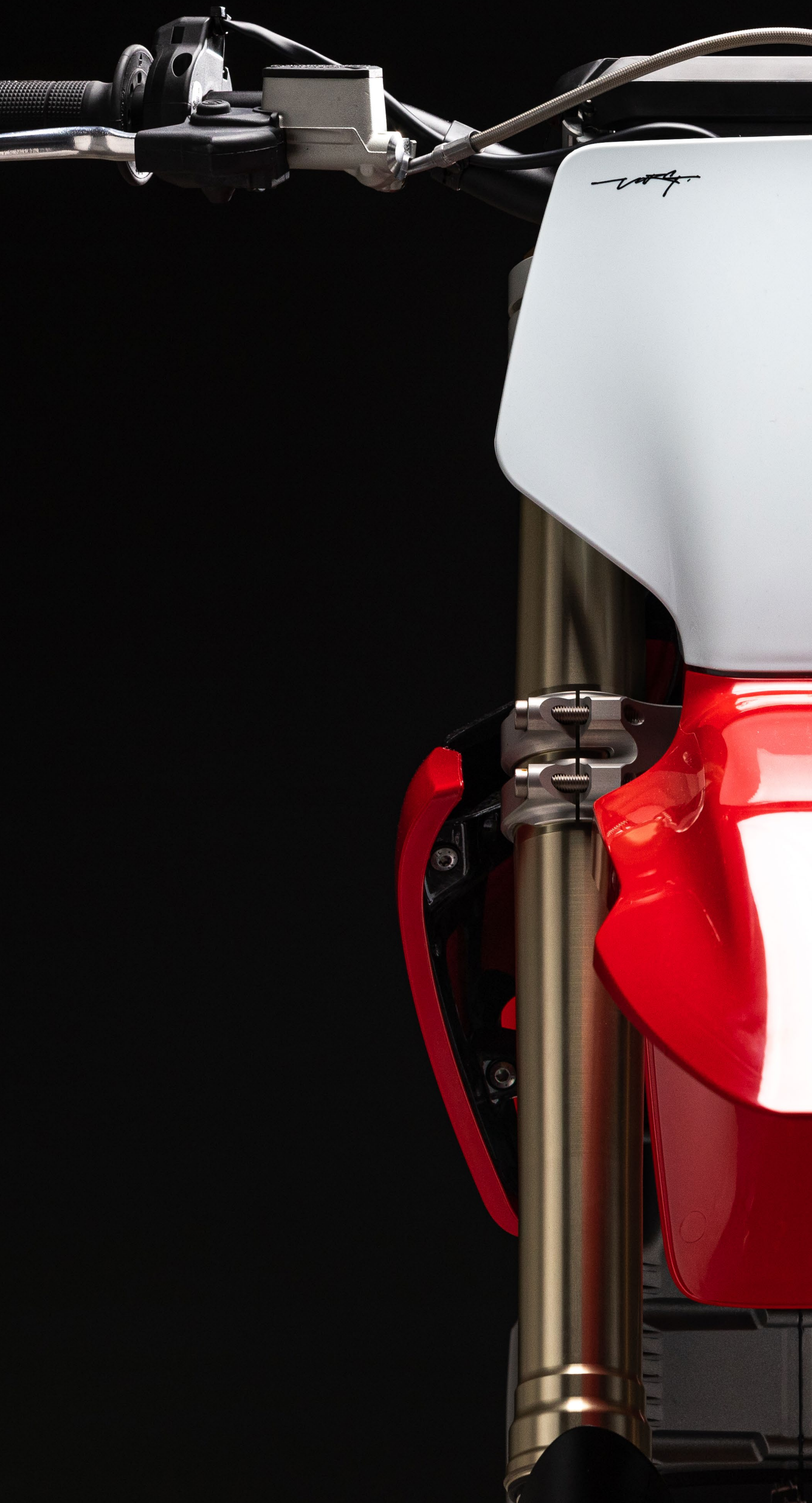
---

We search for the limit, we adapt and we set clear, smart and inspiring goals.

---

We deliver outstanding results.

We would like to thank you for the purchase of your Stark VARG MX 1.2, and we would like to offer you our warmest welcome to the Stark Future family. We hope you enjoy the Stark VARG MX 1.2 as much as we do!



# CONTENTS

---

## 1 INTRODUCTION

1.1	Description of the user	13
1.2	About this owners manual	14
1.3	How to use these instructions	15
1.4	Conventions used in this manual	16
1.5	Explanation of safety warnings	17
1.6	Obtaining documentation and information	18

---

## 2 DESCRIPTION OF THE STARK VARG MX 1.2

2.1	Intended use and reasonably foreseeable misuse	20
2.2	General description of the Stark VARG mx 1.2	20
2.3	Product elements	22
2.3.1	Important parts	22
2.3.2	Important controls of the Stark VARG MX 1.2	30
2.4	Visual indicators	31
2.5	Technical data	32
2.5.1	Position of the VIN number	32
2.5.2	Technical Specifications	33

---

## 3 SAFETY

3.1	How to use the Stark VARG MX 1.2 safely	37
3.1.1	General safety information	37
3.1.2	Safety information regarding the battery and charger	38
3.1.3	Safety information regarding the use	40
3.1.4	Safety information regarding maintenance and repairs	42
3.2	California Proposition 65 and California Perchlorate Advisory	44

3.3	Explanation of graphic symbols	45
3.4	Potential health consequences	46

---

## **4 ASSEMBLING THE STARK VARG MX 1.2**

4.1	Getting started	49
-----	-----------------	----

---

## **5 USING THE STARK VARG MX 1.2**

5.1	How to charge the Stark VARG MX 1.2	51
5.2	How to remove and charge the STARK phone	54
5.3	How to use the Stark Future app	56
5.4	How to prepare the Stark VARG MX 1.2 for a safe ride	57
5.4.1	Mechanical safety check table	58
5.4.2	Torque setting table	63
5.5	How to ride the Stark VARG MX 1.2	66
5.5.1	Use the throttle	68
5.5.2	Use the brakes	69
5.5.3	Switch between ride modes	71
5.5.4	Use the adjustable suspension system	72
5.5.4.1	Front suspension	74
5.5.4.2	Rear Suspension	76
5.5.5	Checking the SAG	78
5.6	What to do in an emergency situation	80
5.6.1	What to do in case of malfunction or breakdown	80
5.6.2	What to do in case of an accident	81
5.6.3	What to do in case of fire	81

---

## **6 CLEANING AND MAINTENANCE**

6.1	Maintenance schedule	84
6.1.1	Before and after every ride	85

## **9**

6.1.2	Service intervals	89
6.2	Cleaning the Stark VARG MX 1.2 after use	90
6.3	Lubricating the chain	92
6.4	Adjusting the chain tension	93
6.5	Adjusting the brakes	96

---

## **7 TRANSPORT AND STORAGE**

7.1	Centre of gravity	99
7.2	Handling and transporting the Stark VARG MX 1.2	100
7.3	Storing the Stark VARG MX 1.2	101

---

## **8 TROUBLESHOOTING AND REPLACING PARTS**

8.1	Troubleshooting	105
8.2	Replacing parts	105

---

## **9 DISPOSAL**

9.1	How to recycle parts	107
9.2	How to dispose of harmful substances	107
9.3	How to dispose of electronic components	108
9.4	How to dispose of packaging waste	109
9.5	How to dispose of batteries	109

---

## **APPENDIXES**

IV	License agreement	111
V	Data protection	116
VI	Warranty	127
VII	Disclaimer	130

## **10**

1

---

INTRODUCTION

## 1.1 DESCRIPTION OF THE USER

---

This owner's manual is intended for the end-user of the Stark VARG MX 1.2. The end-user can be described as each person who interacts directly with the product.

All use of the product shall only be carried out by an authorized and a properly qualified and skilled person, who:

- Has read and understood this manual.
- Is familiar with operating similar products.
- Knows how to control this product.
- Is aware of all possible dangers and acts accordingly.
- Is trained and authorized by applicable legislation to ride our motorcycle.

The required maintenance and/or inspection work as stated in this user manual is allowed by the end-user, unless clearly indicated when this is not allowed.

---

## 1.2 ABOUT THIS OWNERS MANUAL

---

The purpose of this document is to make you familiar with the features and specifications of the Stark VARG MX 1.2, so that you can safely operate it as an end-user. This documentation should therefore be regarded as an integral part of the product.

The information provided in this document contains general descriptions and/or technical characteristics of the performance of the products contained herein. This documentation is not intended as a substitute for and is not to be used for determining suitability or reliability of these products for specific user applications. It is the duty of any such user or integrator to perform the appropriate and complete risk analysis, evaluation and testing of the products with respect to the relevant specific application or use thereof. Neither Stark Future nor any of its affiliates or subsidiaries shall be responsible or liable for misuse of the information that is contained herein. If you have any suggestions for improvements or amendments or have found errors in this publication, please notify us.

Furthermore, the manufacturer reserves the right to revise this publication at any time without incurring an obligation to notify any person of the revision. The

content of these instructions is constantly monitored and, where necessary, modified. However, inconsistencies between these documents can not be excluded. No guarantee is therefore given with regard to the completeness of these instructions. All images in this document are for illustrative purposes only.

---

## **1.3 HOW TO USE THESE INSTRUCTIONS**

---



**IMPORTANT  
READ CAREFULLY  
BEFORE USE AND KEEP  
FOR FUTURE REFERENCE**

READ AND UNDERSTAND THIS MANUAL AND ITS SAFETY INSTRUCTIONS BEFORE USING THIS PRODUCT. FAILURE TO DO SO CAN RESULT IN SERIOUS INJURY OR DEATH.

FOLLOW ALL THE INSTRUCTIONS. THIS WILL AVOID FIRE, EXPLOSIONS, ELECTRIC SHOCKS OR OTHER HAZARDS THAT MAY RESULT IN DAMAGE TO PROPERTY AND/OR SEVERE OR FATAL INJURIES.

THE PRODUCT SHALL ONLY BE USED BY PERSONS WHO HAVE FULLY READ AND UNDERSTAND THE CONTENTS OF THIS MANUAL.

ENSURE THAT EACH PERSON WHO USES THE PRODUCT HAS READ THESE WARNINGS AND INSTRUCTIONS AND FOLLOWS THEM.

KEEP ALL SAFETY INFORMATION AND INSTRUCTIONS FOR FUTURE REFERENCE AND PASS THEM ON TO SUBSEQUENT USERS OF THE PRODUCT.

THE MANUFACTURER IS NOT LIABLE FOR CASES OF MATERIAL DAMAGE OR PERSONAL INJURY CAUSED BY INCORRECT HANDLING OR NON-COMPLIANCE WITH THE SAFETY INSTRUCTIONS. IN SUCH CASES, THE WARRANTY WILL BE VOIDED.

---

## 1.4 CONVENTIONS USED IN THIS MANUAL

---

The following style conventions are used in this document:

### **Bold:**

- Names of elements, commands, options, programs, processes, services, and utilities.
- Names of interface elements (such as windows, dialog boxes, buttons, fields, and menus).
- Interface elements the user selects, clicks, presses, or types.

### *Italic:*

- Publication titles referenced in text.
- Emphasis (for example a new term).
- Variables.

## 1.5

# EXPLANATION OF SAFETY WARNINGS



## DANGER

“**DANGER!**” indicates a hazard with a high level of risk which, if not avoided, will result in death or serious injury.



## WARNING

“**WARNING!**” indicates a hazard with a medium level of risk which, if not avoided, could result in death or serious injury.



## CAUTION

“**CAUTION!**” indicates a hazard with a low level of risk which, if not avoided, could result in minor or moderate injury.



## NOTICE

“**NOTICE**” Indicates information considered important, but not hazard-related.

---

## 1.6 OBTAINING DOCUMENTATION AND INFORMATION

---

This is the original English owners manual. Manuals in other languages are available upon request.

For ordering spare parts visit the website: [starkfuture.com](https://starkfuture.com) ↗

For inquiries, information, technical assistance or any other questions or feedback, please contact us:

Email [support@starkfuture.com](mailto:support@starkfuture.com)

or

**Stark Future SL**

Carrer Batan 2-8

08830 Sant Boi de Llobregat

Barcelona

Spain

# 2

---

**DESCRIPTION OF THE  
STARK VARG MX 1.2**

---

## **2.1 INTENDED USE AND REASONABLY FORESEEABLE MISUSE**

---

The Stark VARG MX 1.2 is intended to be used for motorcycling on a dirt bike track.

The Stark VARG is not intended to be used for motorcycling on public roads.

Only use the product within the specified performance limits and according to the instructions as described in this manual. All use other than described in this manual is seen as unintended use.

The product shall be used with the following original software, accessories and components only:

- Stark VARG phone
- Stark app
- Stark VARG charger stand

---

## **2.2 GENERAL DESCRIPTION OF THE STARK VARG MX 1.2**

---

The Stark VARG MX 1.2 is an electrically powered motorcycle equipped with an integrated battery and electric motor. It comes with an Android smartphone that functions as the dashboard.

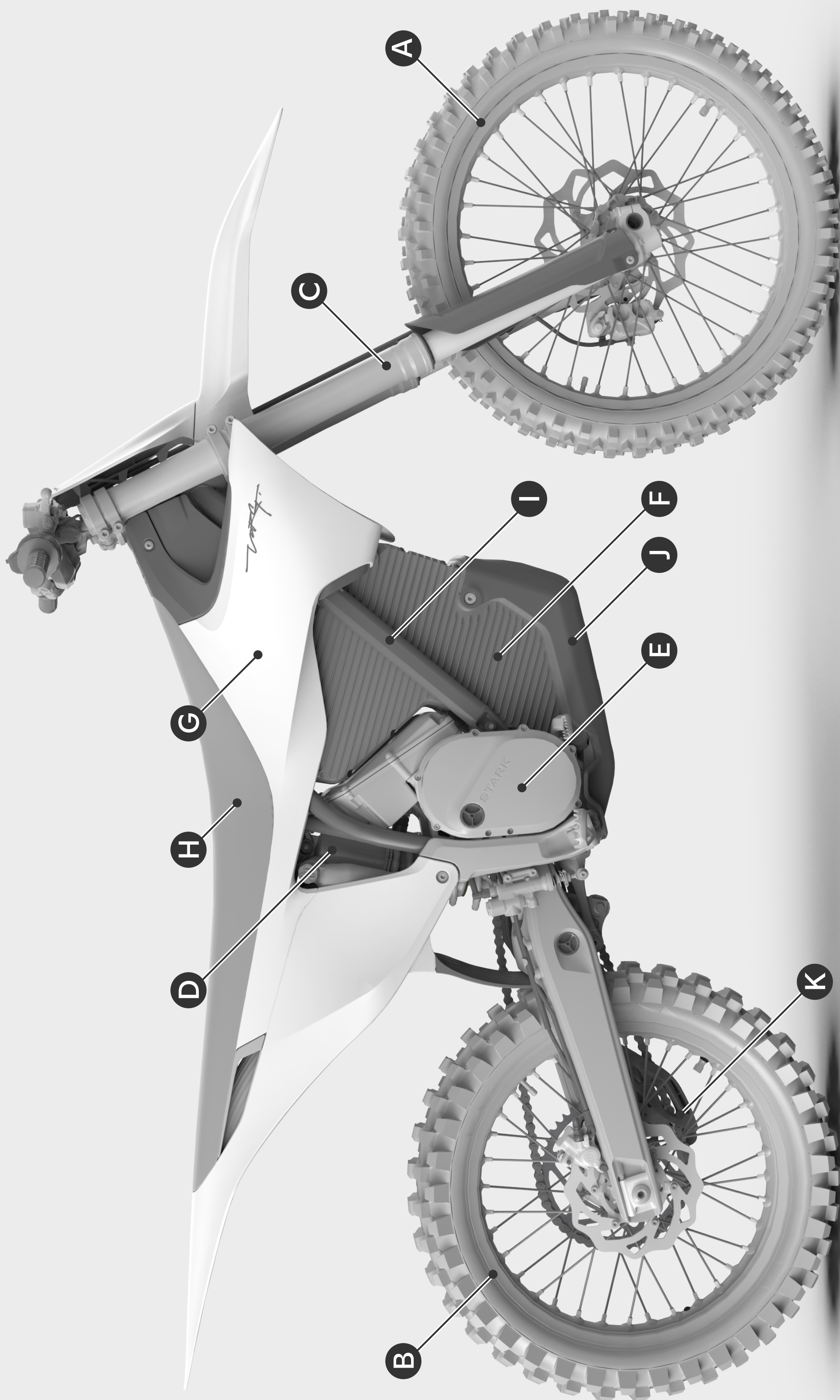
The Stark VARG phone has the Stark Future app pre-installed, allowing users to customize the motorcycle by adjusting the power curve and engine braking. It also offers built-in navigation and provides a history of rides and performance statistics.

The Stark VARG MX 1.2 is activated by pressing the On/Off button on the control switch. Riders can switch between different riding modes using the top and bottom buttons. The Vehicle Control Unit integrated into the Stark VARG MX 1.2 includes default riding modes, which users can override via the Stark Future app.

The Stark VARG MX 1.2 is available in two versions: a 60 hp variant called Standard and an 80 hp variant called Alpha. It is offered in three colors and can be further customized by choosing a hand or foot rear brake, tire selections and suspension settings based on the rider's weight. Additional options, such as front and rear brake disc protectors, titanium components, tubes and mousses are available when configuring the VARG MX 1.2 on [starkfuture.com](https://starkfuture.com) ↗.

## 2.3 PRODUCT ELEMENTS

### 2.3.1 Important parts

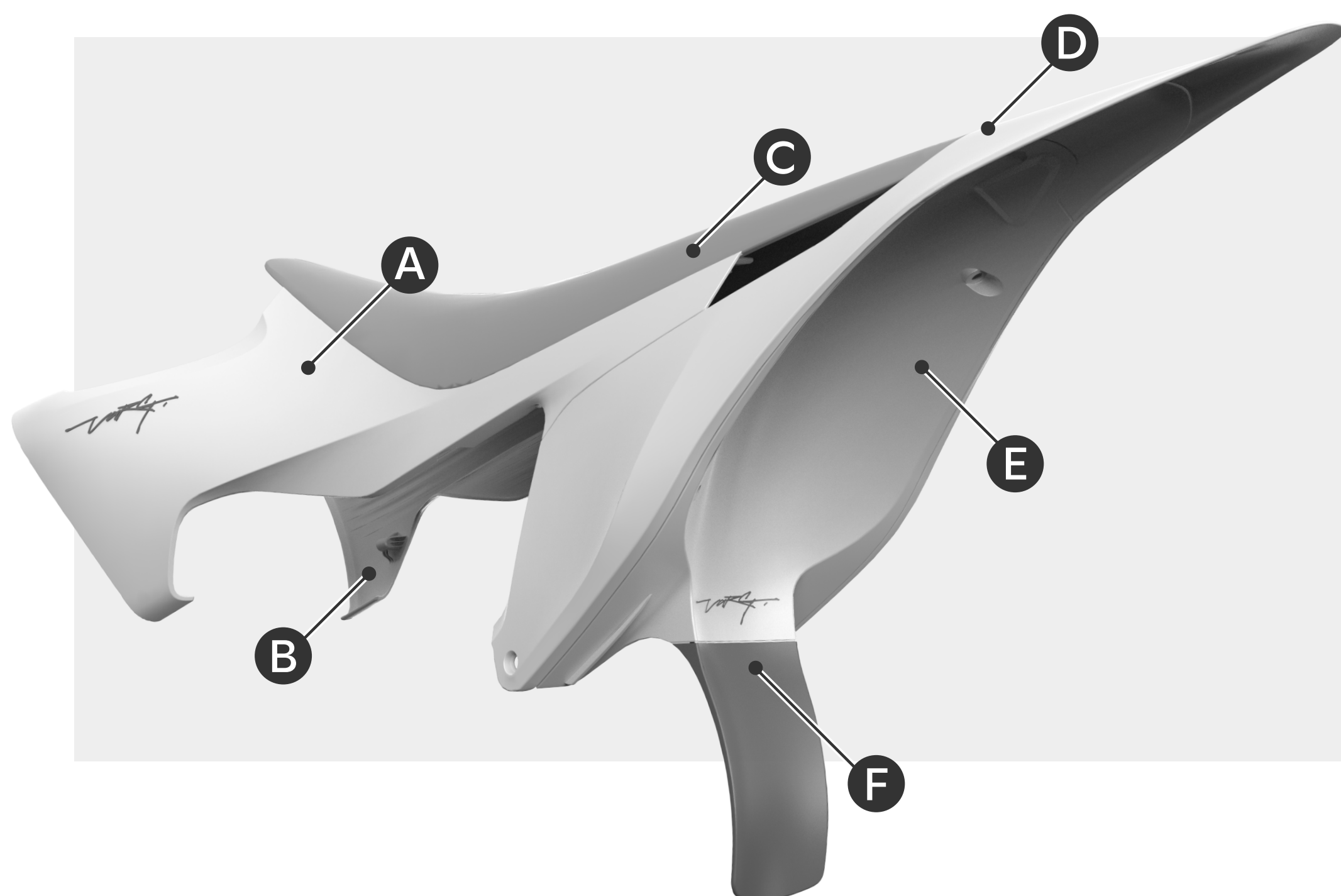


(Image on previous page)

- |                           |                      |
|---------------------------|----------------------|
| <b>A</b> Front wheel      | <b>G</b> Bodywork    |
| <b>B</b> Rear wheel       | <b>H</b> Seat        |
| <b>C</b> Front suspension | <b>I</b> Frame       |
| <b>D</b> Rear suspension  | <b>J</b> Skid plate  |
| <b>E</b> Powertrain       | <b>K</b> Chain guide |
| <b>F</b> Battery          |                      |

---

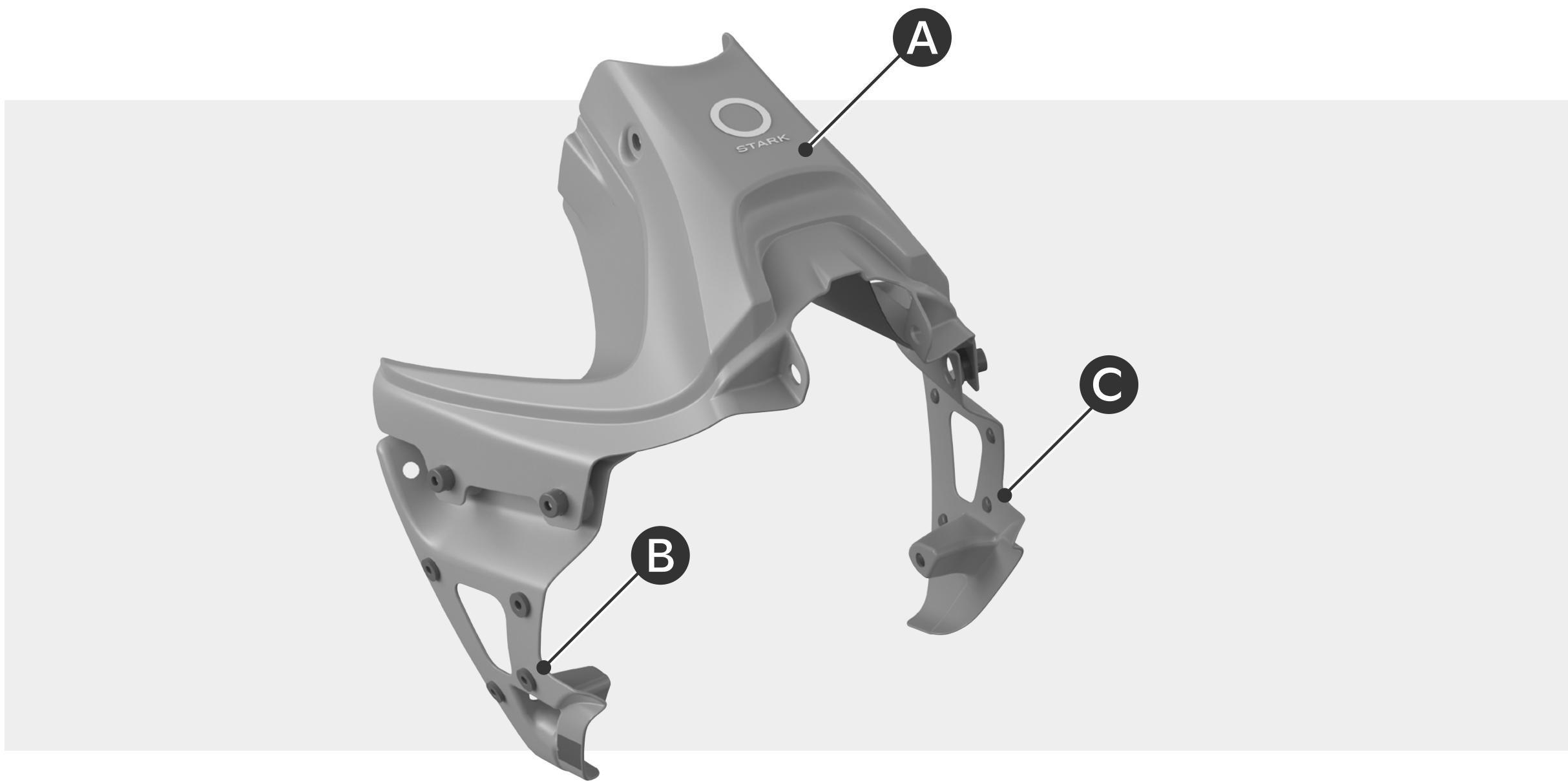
## SPOILERS



- |                              |                        |
|------------------------------|------------------------|
| <b>A</b> Front spoiler left  | <b>D</b> Rear fender   |
| <b>B</b> Front spoiler right | <b>E</b> Bottom Fender |
| <b>C</b> Seat                | <b>F</b> Mudflap       |

---

## CARBON FIBER SPOILER

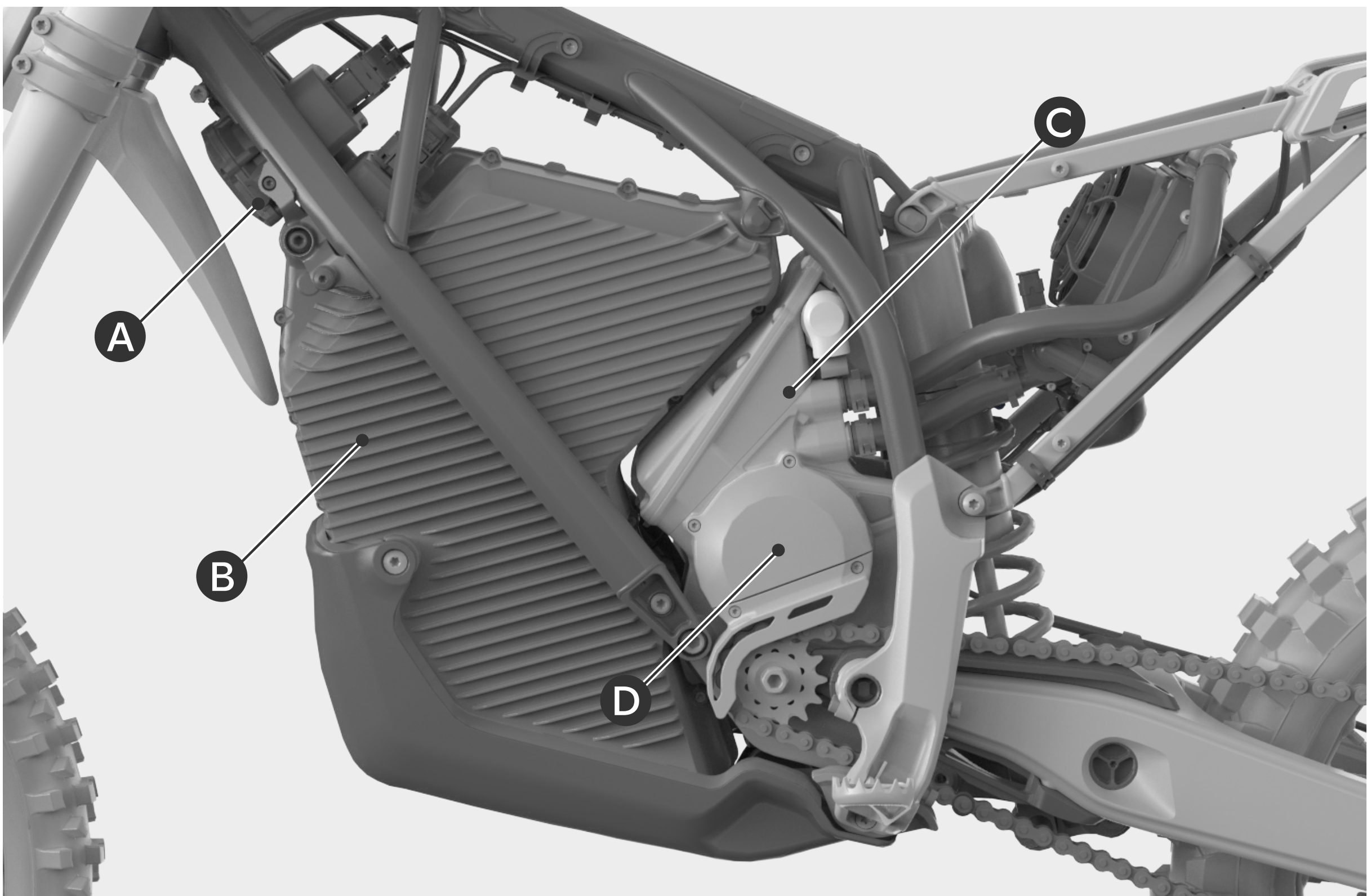


**A** Top CF part  
**B** Left CF part

**C** Right CF part

---

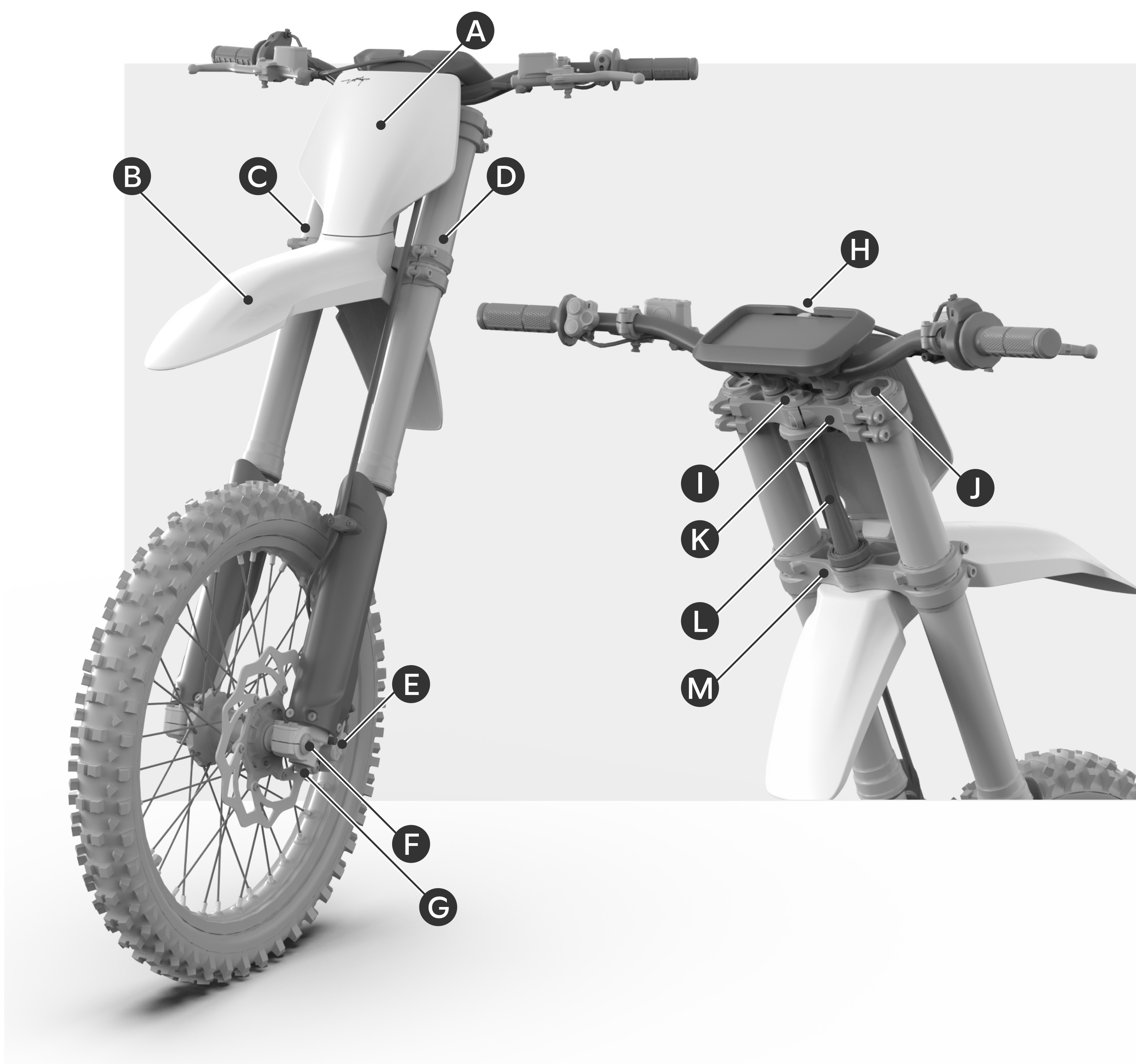
## ELECTRONIC COMPONENTS



**A** VCU  
**B** Battery

**C** Inverter +  
Charging port  
**D** Motor

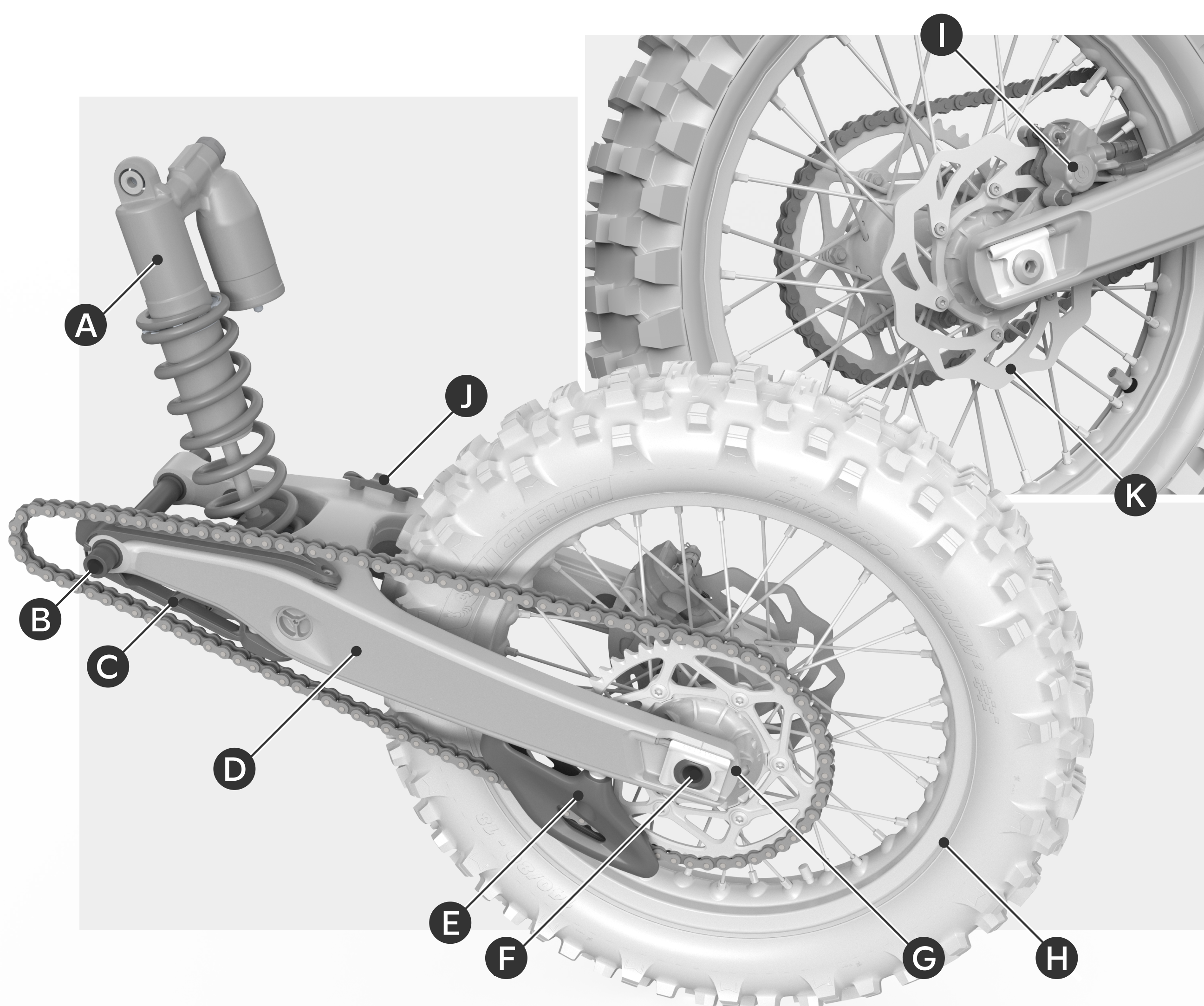
## FRONT SUSPENSION



- A** Number plate
- B** Front fender
- C** Right fork tube
- D** Left fork tube
- E** Brake caliper
- F** Front wheel shaft and bolt
- G** Fork rebound adjustment
- H** Docking station

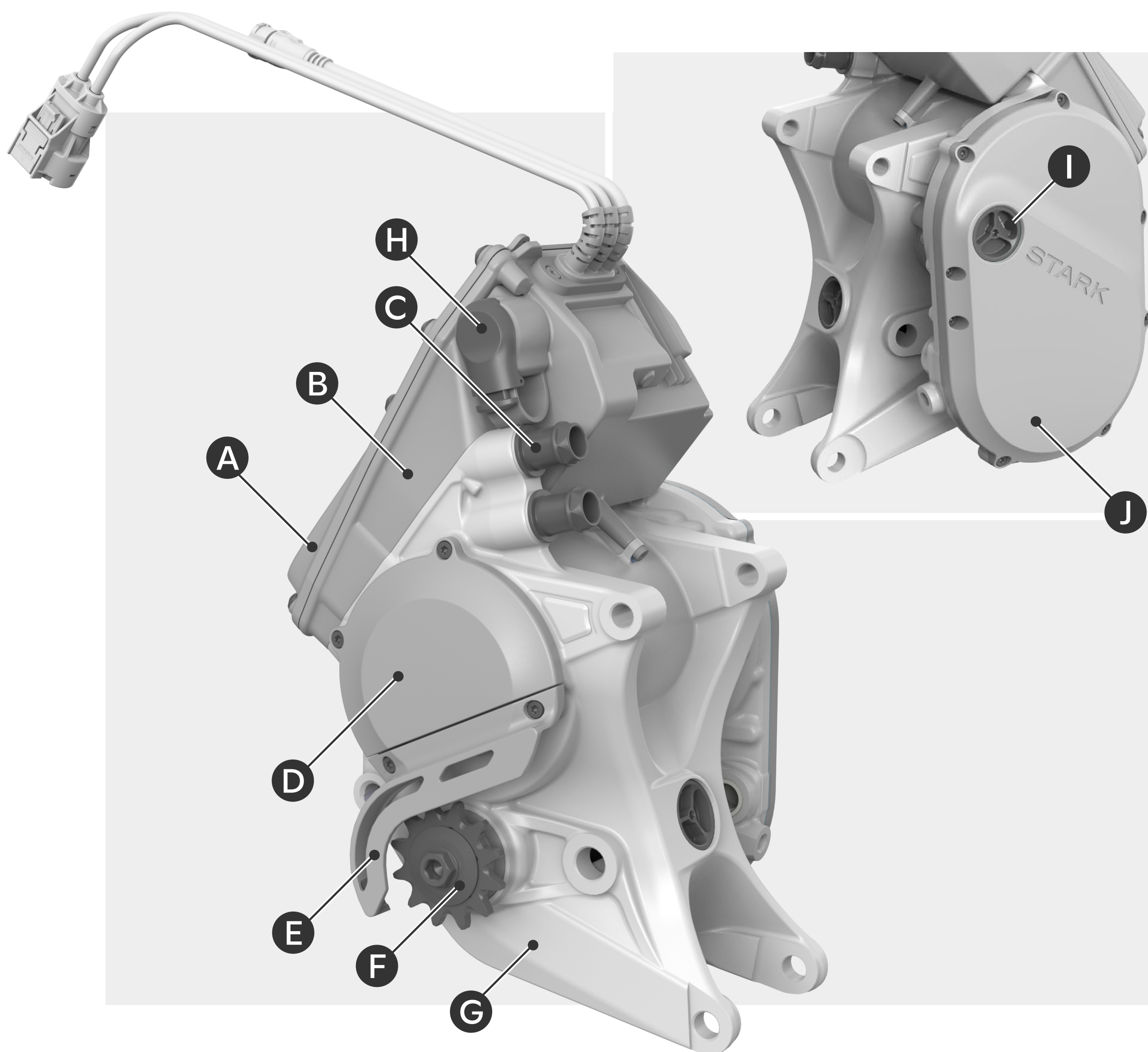
- I** Steering nut
- J** Fork compression adjustment
- K** Top triple clamp
- L** Steering shaft
- M** Bottom triple clamp

## REAR SUSPENSION



- |                             |                                  |
|-----------------------------|----------------------------------|
| <b>A</b> Shock              | <b>G</b> Chain tensioner         |
| <b>B</b> Swingarm Spindle   | <b>H</b> Wheel                   |
| <b>C</b> Chain Slider       | <b>I</b> Rear brake caliper      |
| <b>D</b> Swingarm           | <b>J</b> Rear brake cable holder |
| <b>E</b> Chain Guide        | <b>K</b> Rear disc               |
| <b>F</b> Rear wheel Spindle |                                  |

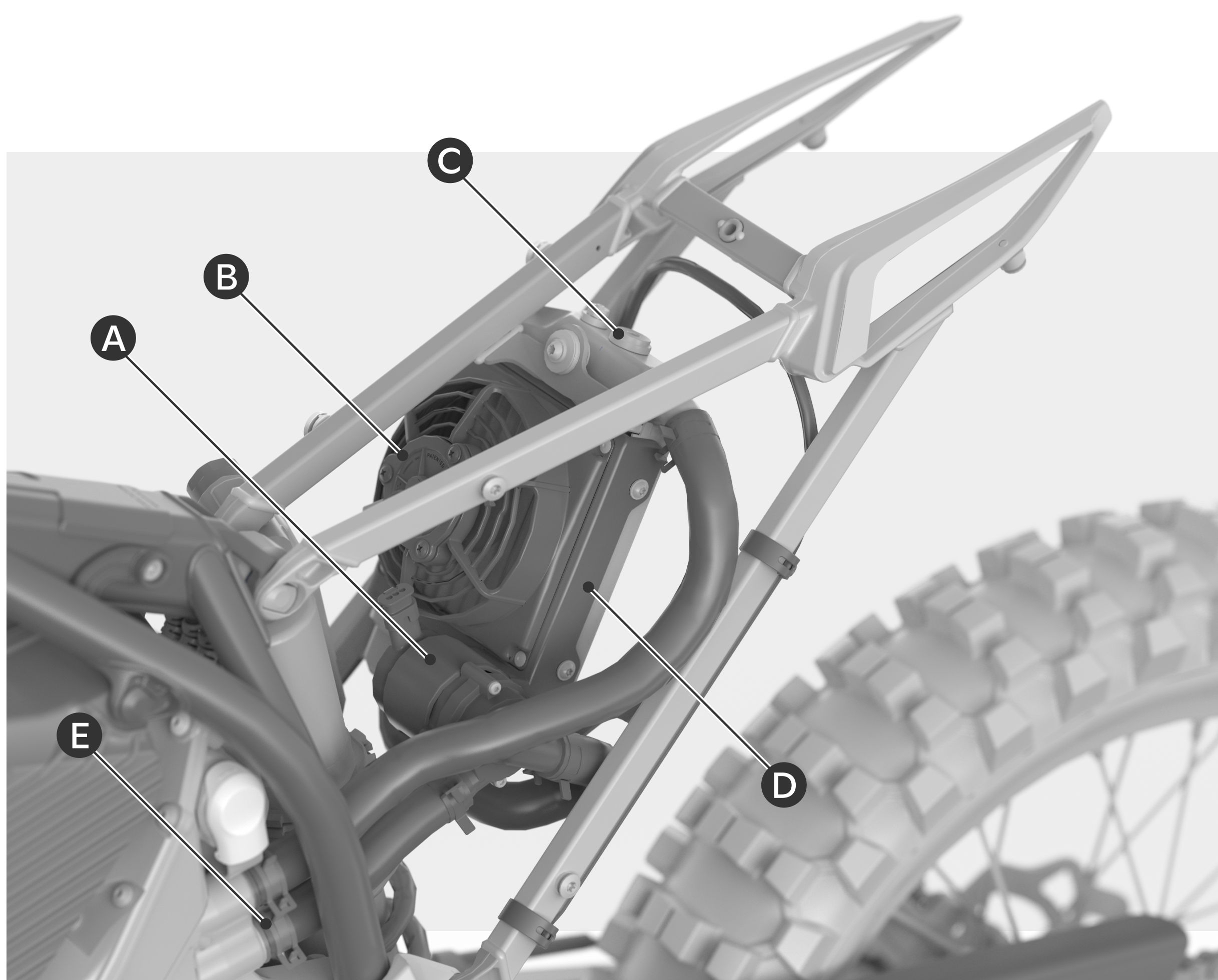
## POWERTRAIN (MOTOR + INVERTER)



- |                           |                            |
|---------------------------|----------------------------|
| <b>A</b> Inverter cover   | <b>F</b> Front sprocket    |
| <b>B</b> Inverter plate   | <b>G</b> Motor case        |
| <b>C</b> Water lug        | <b>H</b> Charging port cap |
| <b>D</b> Left motor cover | <b>I</b> Oil filler cap    |
| <b>E</b> Sprocket guard   | <b>J</b> Right motor cover |

---

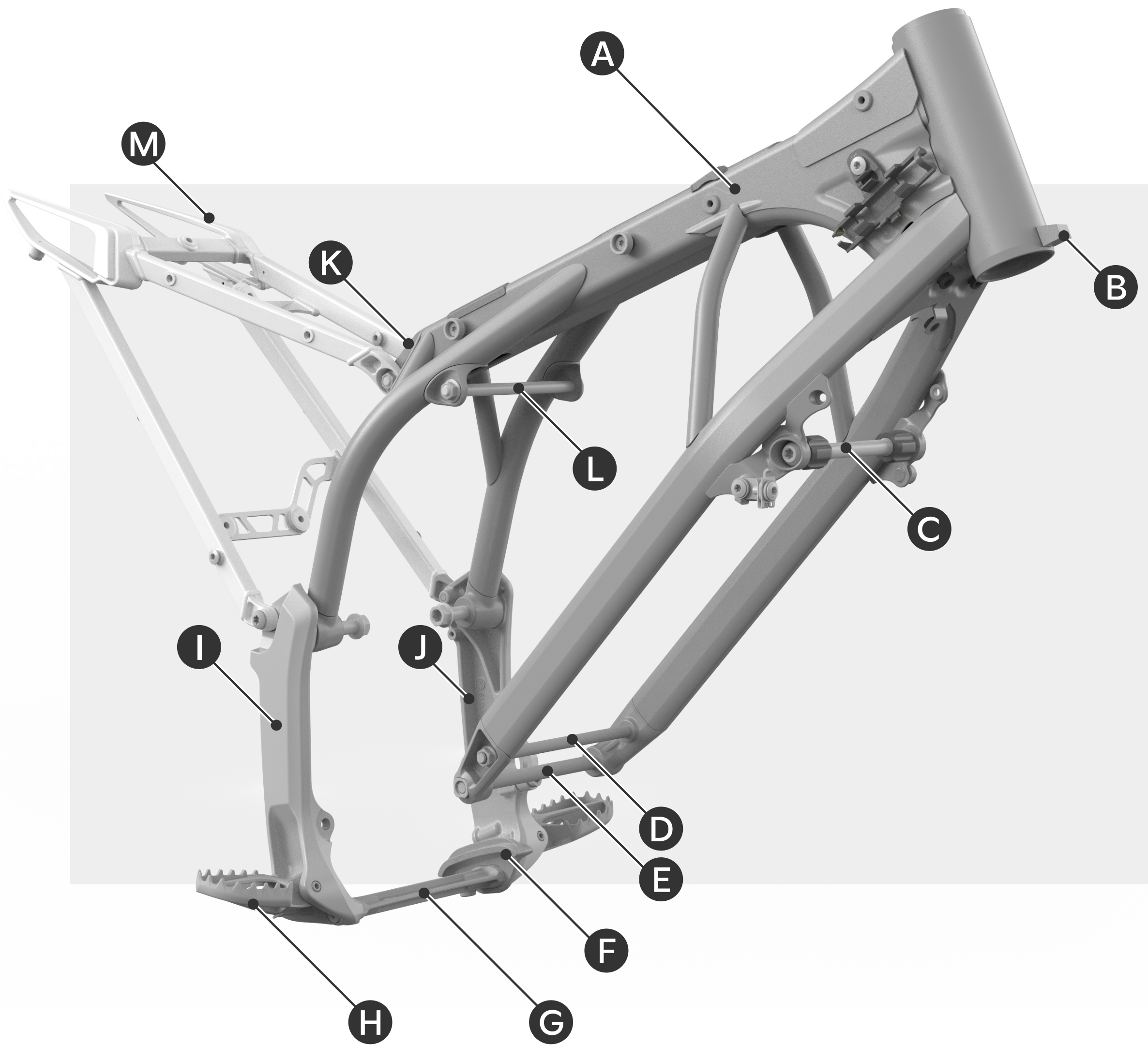
## COOLING SYSTEM



**A** Water pump  
**B** Fan  
**C** Filling cap

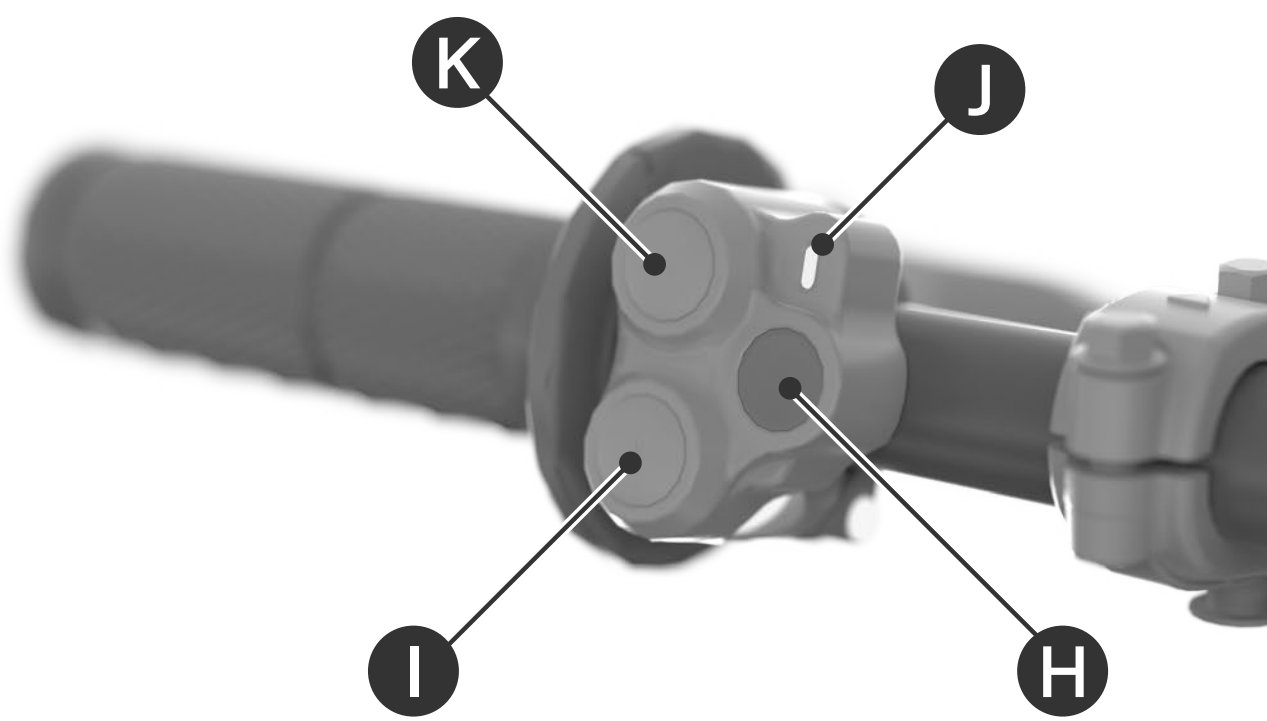
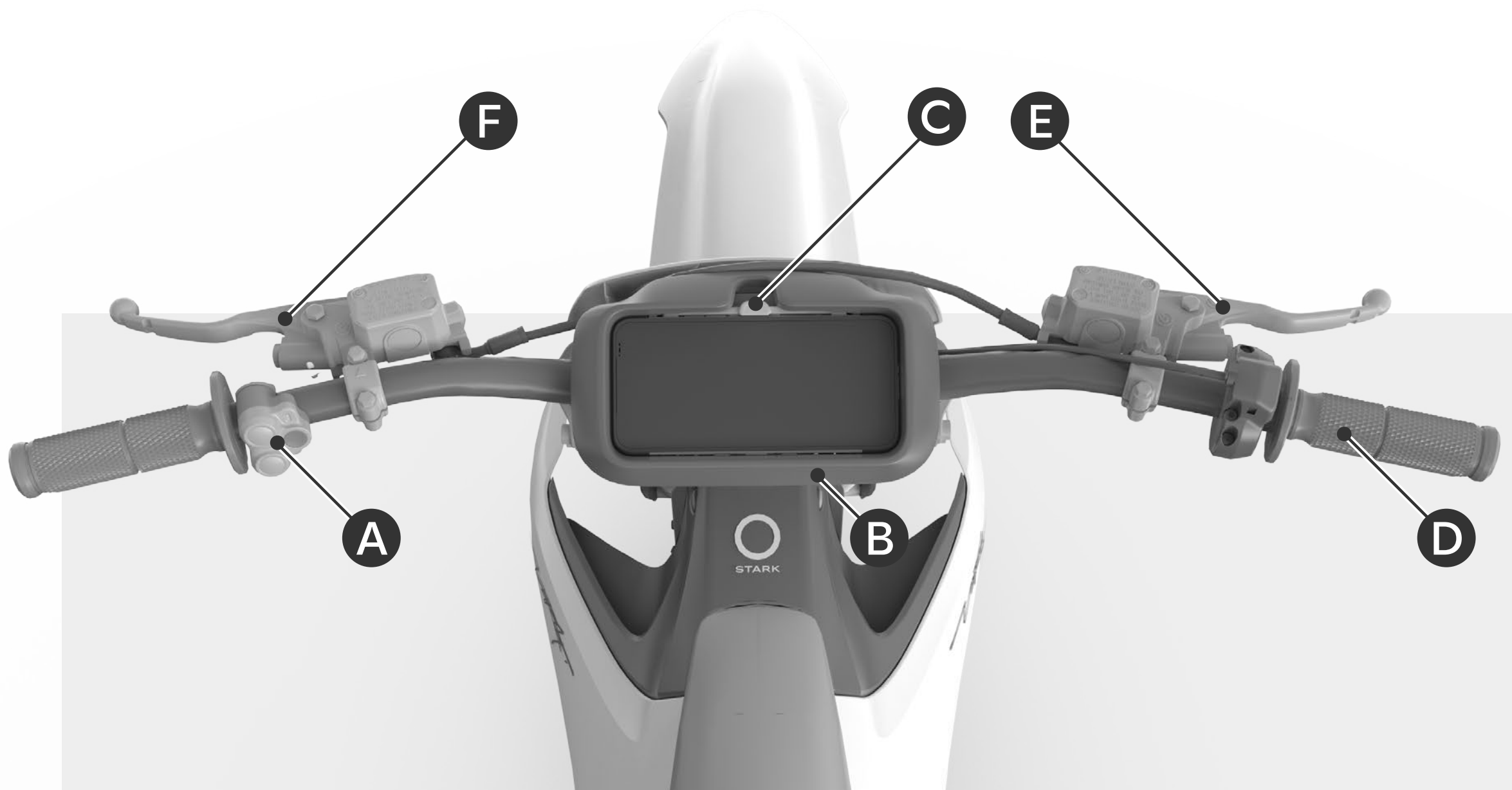
**D** Radiator  
**E** Inlet/outlet  
cooling hoses

## FRAME



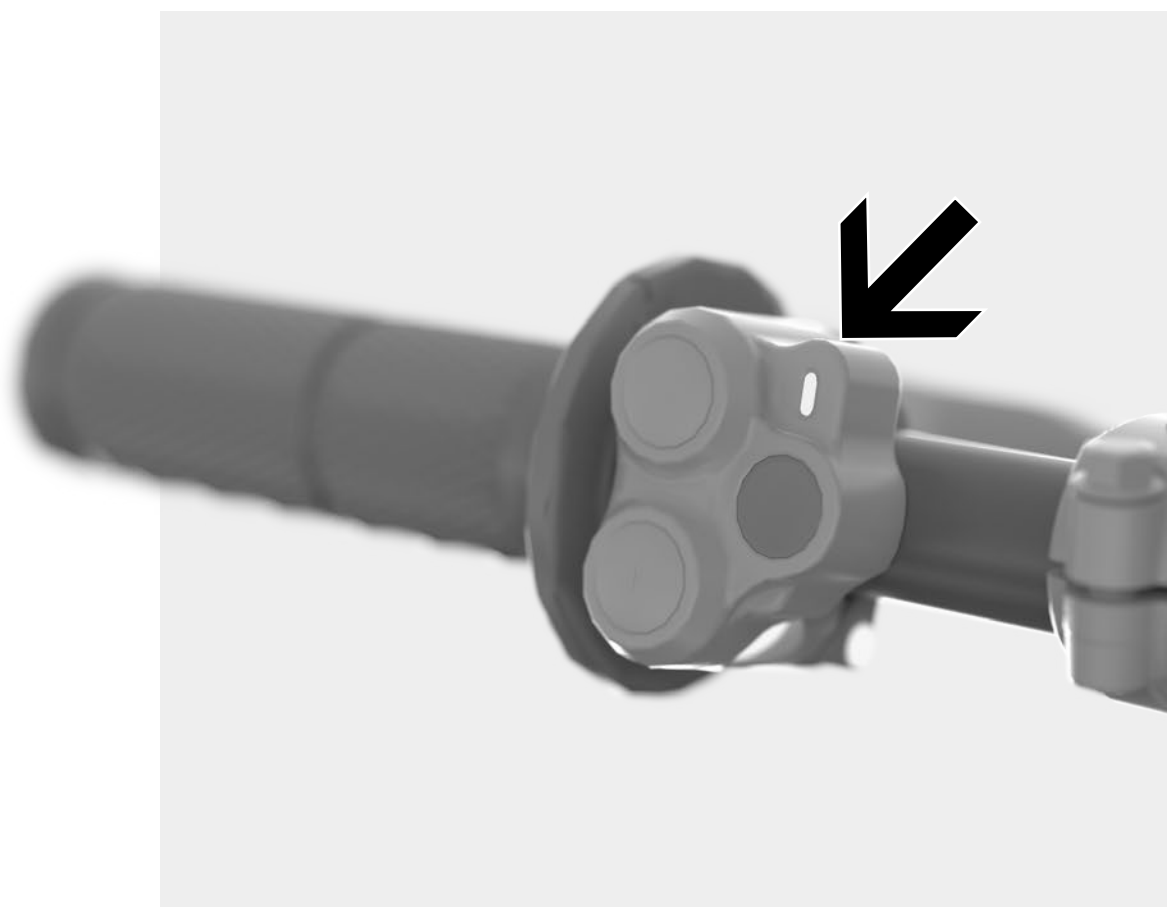
- |                               |                            |
|-------------------------------|----------------------------|
| <b>A</b> Frame                | <b>G</b> Bottom beam       |
| <b>B</b> Steering stopper     | <b>H</b> Foot peg          |
| <b>C</b> Front battery shaft  | <b>I</b> Right side plate  |
| <b>D</b> Bottom battery shaft | <b>J</b> Left side plate   |
| <b>E</b> Motor shaft          | <b>K</b> Top shock axle    |
| <b>F</b> Chain slider         | <b>L</b> Top battery shaft |
|                               | <b>M</b> Subframe          |

## 2.3.2 Important controls of the Stark VARG MX 1.2



- |                               |                          |
|-------------------------------|--------------------------|
| <b>A</b> Control switch       | (optional)               |
| <b>B</b> Docking station      | <b>G</b> Rear foot brake |
| <b>C</b> Phone release button | (optional)               |
| <b>D</b> Throttle             | <b>H</b> On/Off button   |
| <b>E</b> Front hand brake     | <b>I</b> Minus button    |
| <b>F</b> Rear hand brake      | <b>J</b> LED light       |
|                               | <b>K</b> Plus button     |

## 2.4 VISUAL INDICATORS



The control switch contains a **LED light** which can change color. Each color has a different meaning.

Color	Meaning
● Blue	The battery is charging.
● Green	The motorcycle is On and ready to go.
◐ Blinking green	The motorcycle is On and in neutral. The throttle does not provide power.
● Red	The motorcycle is not ready to run yet.
◐ Blinking magenta	Ready to update.
● Purple	Reverse crawl mode.
● Yellow	Forward crawl mode.

---

## 2.5 TECHNICAL DATA

---

### 2.5.1 Position of the VIN number

---

The Vehicle Identification Number can be found on the frame.



## 2.5.2 Technical Specifications

Parameter	Standard 60hp	Alpha 80hp
<b>Device name</b>	Stark VARG MX <i>Standard</i>	Stark VARG MX <i>Alpha</i>
<b>Designation</b>	Motocross Motorcycle	
<b>Manufacturer</b>	Stark Future	
<b>Country of manufacture</b>	Spain	
<b>Technical life span</b>	500 running hours	
<b>Dimensions</b> (L×W×H)	2171x821x1274mm 85.4x32.3x50.2inch	
<b>Max Power</b>	44 kW	60 kW
<b>Weight</b>	118 kg 260 lbs	
<b>Motor type</b>	SPMAC machine	
<b>Max rpm</b>	13900	
<b>Max motor torque</b>	70 Nm 51.63 ft-lbs	90 Nm 66.38 ft-lbs
<b>Chemical composition of the battery</b>	Lithium-ion	

## 2.5.3

Parameter	Standard 60hp	Alpha 80hp
<b>Battery specifications</b>	7.2 kWh, 420 V	
<b>Riding time</b>	Up to 6 hours	
<b>Charging time</b>	2 hours (on 220 V)	
<b>Top speed</b>	154 kmh 95.7 mph	
<b>Max carrying capacity depending on suspension</b>  Check your suspension type	<ul style="list-style-type: none"> <li>• Soft 65-75 kg 143-165 lbs</li> <li>• Medium 75-90 kg 165-198 lbs</li> <li>• Hard 90-100 kg 198-220 lbs</li> </ul>	
<b>Motor oil</b>	SAE 75w-90 gear oil	
<b>Refrigerator liquid</b>	Glycol based coolant	
<b>Sound level wide-open-throttle acceleration</b>	79.9 dB(A)	
<b>Sound level constant speed</b>	72.7 dB(A)	
<b>Sound level urban</b>	75 dB(A)	
<b>Frequency band</b>	2.4 GHz	

Parameter	Standard 60hp	Alpha 80hp
<b>Maximum radio-frequency power</b>  Transmitted in the frequency band(s) in which the radio equipment operates	2480 MHz	
<b>Recommended operation and storage temperature range</b>	<ul style="list-style-type: none"> <li>• Temperature: 0 to + 25 °C 32 to 77 °F</li> <li>• Humidity: 0 - 60%</li> </ul>	
<b>Recommended operation and storage relative humidity range.</b>	0 - 60%	
<b>Tire Size</b>	Front: 90/90 - 21 Rear: 140/80 - 18	

3

---

SAFETY

## 3.1 HOW TO USE THE STARK VARG MX 1.2 SAFELY



### DANGER

Read and understand this manual and its safety instructions before using this product. Failure to do so can result in serious injury or death.

### 3.1.1 General safety information



### WARNING

- The product shall only be used as described by the manufacturer. All other use cases are unprofessional and considered dangerous. The manufacturer cannot be held liable for damage resulting from errors, unintended or unprofessional use of the product.
- The product is not intended for use by persons (including children) with restricted physical, sensory or intellectual capability or lack of experience and/or knowledge.



## WARNING

- Only use the product within the specified performance limits as described in these instructions.
- Do not remove warning labels from the product.
- Inspect the packaging and product for any damages, before assembling the product. If there are any damages, contact us.

---

### 3.1.2 Safety information regarding the battery and charger

---



## DANGER

- **Risk of injury or death!** Do not use the product if the battery pack is damaged. When the battery pack is damaged, it may present a fire hazard.
- **Risk of explosion!** The battery and the charger must be dry before operation. Dry the battery and the charger with a soft cloth.
- **Risk of explosion!** Do not charge or use a battery that is damaged. If the battery is damaged, it must be discarded immediately.



## DANGER

- **Risk of damage!** After charging, the charger must be disconnected from the bike and the AC power socket immediately.
- Always charge and store the battery in a dry environment.
- Do not charge a battery at temperatures below 4°C (40°F).
- Do not charge a battery that has been exposed to seawater.
- Do not charge the battery with charger cables that may be damaged.
- Do not charge the battery near flammable materials.
- Do not leave the battery unattended while charging.
- If the product appears to be bulging or shows other undesirable phenomena (e.g. excess noise), stop using the product immediately.
- Do not cover the product while charging the battery. Charge the product in a well-ventilated environment.
- Batteries produce heat when charging and discharging. If the product becomes too hot to touch, switch the product off and unplug immediately.
- If the battery leaks avoid contact with skin and eyes. Rinse affected areas immediately with plenty of clean water, then consult a doctor.

### 3.1.3 Safety information regarding the use



#### DANGER

- **Risk of injury or death!** Do not use the product under the influence of alcohol, any medicine or illegal drugs that could alter your capacity to drive, or if you are not physically or mentally able to drive.
- **Risk of injury or death!** It is formally prohibited to use the product if the product, or one of its components, hasn't been properly maintained or if it is used outside the scope of the intended use. It is forbidden to open the motor or the battery pack.
- **Risk of injury or death!** The user assumes all responsibility while operating the product. The seller assumes no liability for misuse or operator negligence.
- **Risk of injury or death!** To reduce the risks of potential injury while using the product, it is necessary to be equipped with all compulsory protective clothing. For any kind of trip and for any person(s) that use the product, it is necessary to wear the correct protective clothing (helmet, boots, gloves, trousers and jacket equipped with protective means).



## DANGER

- **Risk of injury or death!** Only use protective clothing and helmet that is in perfect condition and complies with the legal requirements of the country of use.
- **Risk of injury or death!** Always be vigilant when activating a new ride mode. Beware that the settings which can be adjusted in the Stark Future app influence the behavior of the motorcycle.
- **Risk of injury!** Always turn the product off when you are not riding, by pressing the On/Off button on the control switch. An accident may occur if the product is powered up while getting on or off the product and the throttle is twisted.
- **Risk of injury!** When using the product, some components start moving (chain, wheels) and become dangerous for the user. It is important to take the right measures to avoid any unnecessary risks.
- **Risk of injury!** Beware of falling over the handlebar when only using the front brake. Hand brakes must always be used simultaneously.
- Always ride at a safe speed that allows you to react quickly to unexpected circumstances.



## DANGER

- Always use lights and reflectors in low-light or dark conditions.
- Take into account that the battery performance and the range depends on many factors, including load, tire pressure, driving circumstances and/or operational temperature.

---

### 3.1.4 Safety information regarding maintenance and repairs

---



## DANGER

- **Risk of injury or death!** Use only original parts. These parts have been tested and approved by the manufacturer. Under no circumstances should you try to replace the components such with components of another brand, at the risk of causing irreversible damages to your product. The manufacturer does not assume any responsibility for the adaptation of unapproved parts.



## DANGER

- **Risk of injury or death!** The high voltage components on the motorcycle should only be serviced by specially trained technicians. Do not probe, tamper with, cut, or modify high voltage cables or wiring.
- **Risk of injury or death!** Alterations to the product and technical modifications are not permitted. Failure to do so may result in damage or severe or fatal injuries and it will invalidate the warranty.
- **Risk of injury!** Always turn the Stark VARG MX 1.2 off completely before performing any cleaning or maintenance tasks.
- **Risk of damage!** Repairs shall only be done by a qualified and trained technician who is familiar with repairing similar products.

---

## 3.2 CALIFORNIA PROPOSITION 65 AND CALIFORNIA PERCHLORATE ADVISORY







---



### WARNING

- **California Proposition 65**  
Lithium-ion batteries and products that contain lithium-ion batteries can expose you to chemicals including cobalt lithium nickel oxide, and nickel, which are known to the State of California to cause cancer and birth defects or other reproductive harm
- **California Perchlorate Advisory**  
Certain components of this motorcycle such as lithium batteries may contain perchlorate material. Special handling may apply for service or end of life disposal. For more information go to: [dtsc.ca.gov](https://dtsc.ca.gov) ↗

## 3.3 EXPLANATION OF GRAPHIC SYMBOLS

Symbol	Meaning
	Power limited
	MIL (Malfunction Indicator Lamp)
	REESS failure (Rechargable Energy Storage System)
	Insulation failure
	Racing mode
	Referral

## 3.4 POTENTIAL HEALTH CONSEQUENCES



### DANGER

The Stark VARG MX 1.2 is engineered for versatile motorcycling activity, accommodating off-road use. Your participation in this activity is at your own risk and you shall take all necessary precautionary measures, including wearing all necessary protective clothing and gear, while riding the Stark VARG MX 1.2. The necessary protective clothing includes, but is not limited to, a helmet and protective boots, gloves, trousers and jacket. You agree to consult with your personal physician before participating in this high-risk activity

# 4

---

**ASSEMBLING THE  
STARK VARG MX 1.2**



## DANGER

- **Risk of injury or death!** Use only original parts. These parts have been tested and approved by the manufacturer. Under no circumstances should you try to replace the components such with components of another brand, at the risk of causing irreversible damages to your product. The manufacturer does not assume any responsibility for the adaptation of unapproved parts.
- **Risk of injury or death!** The high voltage components on the motorcycle should only be serviced by specially trained technicians. Do not probe, tamper with, cut or modify high voltage cables or wiring.
- **Risk of injury or death!** Alterations to the product and technical modifications are not permitted. Failure to do so may result in damage or severe or fatal injuries and it will invalidate the warranty.
- Inspect the packaging and product for any damages, before assembling the product. If there are any damages, contact your (re)seller.

## 4.1 GETTING STARTED

---

- 1 Scan the QR code on the box and follow the VARG MX 1.2 assembly steps

Required tools included.



Scan this QR code to go to the online instructional videos on how to unpack and assemble the Stark VARG MX 1.2

# 5

---

**USING THE  
STARK VARG MX 1.2**

## 5.1 HOW TO CHARGE THE STARK VARG MX 1.2



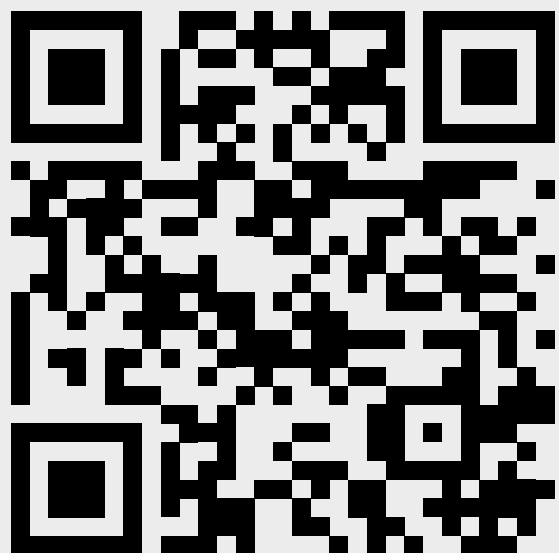
### DANGER

- **Risk of injury or death!** It is formally prohibited to use the product if the product, or one of its components, hasn't been properly maintained or if it is used outside the scope of the intended use. It is forbidden to open the motor or the battery pack.
- **Risk of injury or death!** Do not use the product if the battery pack is damaged. When the battery pack is damaged, it may present a fire hazard.
- **Risk of explosion!** The battery and the charger must be dry before operation. Dry the battery and the charger with a soft cloth.
- **Risk of explosion!** Do not charge or use a battery that is damaged. If the battery is damaged, it must be discarded immediately.
- **Risk of damage!** After charging, the charger must be disconnected from the motorcycle charging port and the AC power socket immediately.
- Always charge and store the battery in a dry environment.
- Do not charge a battery at temperatures below 4°C (40°F).



## DANGER

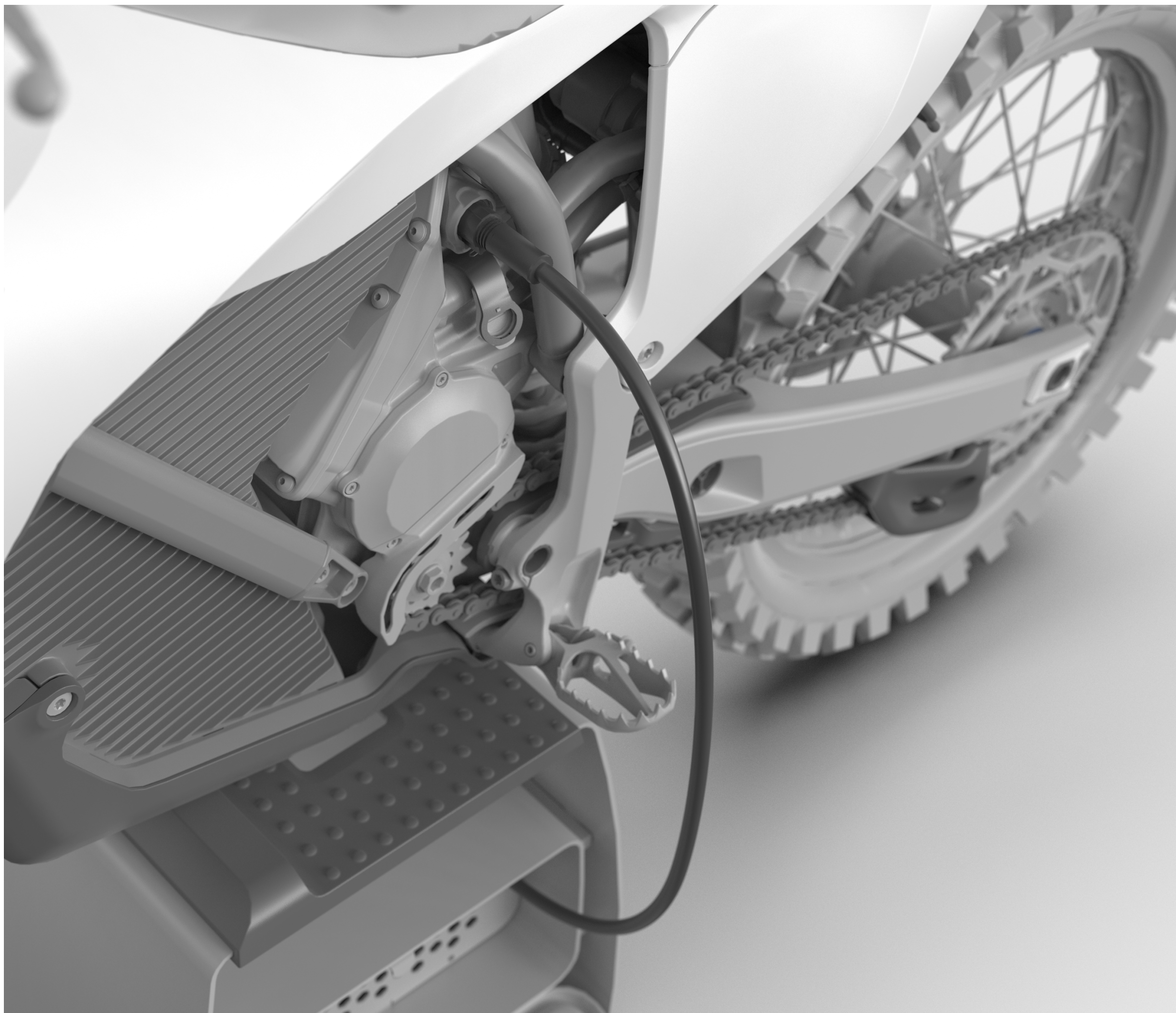
- Do not charge a battery that has been exposed to seawater.
- Do not charge the battery with charger cables that may be damaged.
- Do not charge the battery near flammable materials.
- Do not leave the battery unattended while charging.
- If the product appears to be bulging or shows other undesirable phenomena (e.g. excess noise), stop using the product immediately.
- Do not cover the product while charging the battery.  
Charge the product in a well-ventilated environment.
- Batteries produce heat when charging and discharging. If the product becomes too hot to touch, switch the product off and unplug immediately.
- If the battery leaks avoid contact with skin and eyes. Rinse affected areas immediately with plenty of clean water, then consult a doctor.



Tap or scan to watch the online instructional videos on how to charge the Stark VARG MX 1.2

## To charge the Stark VARG MX 1.2:

- 1 Make sure the Stark VARG MX 1.2 is well balanced on the **skid plate**, on top of the **charger stand**.
- 2 Press the button on the charging port and take it off.
- 3 Open the **charger box** and:
  - a Connect the **charging cable** to the **charging port** of the motorcycle.
  - b Connect the **power supply cable** to a suitable socket.



- 4 Hold the **On/Off button** until the **light** on the **control switch** turns blue.

## 5.2 HOW TO REMOVE AND CHARGE THE STARK PHONE



### NOTICE

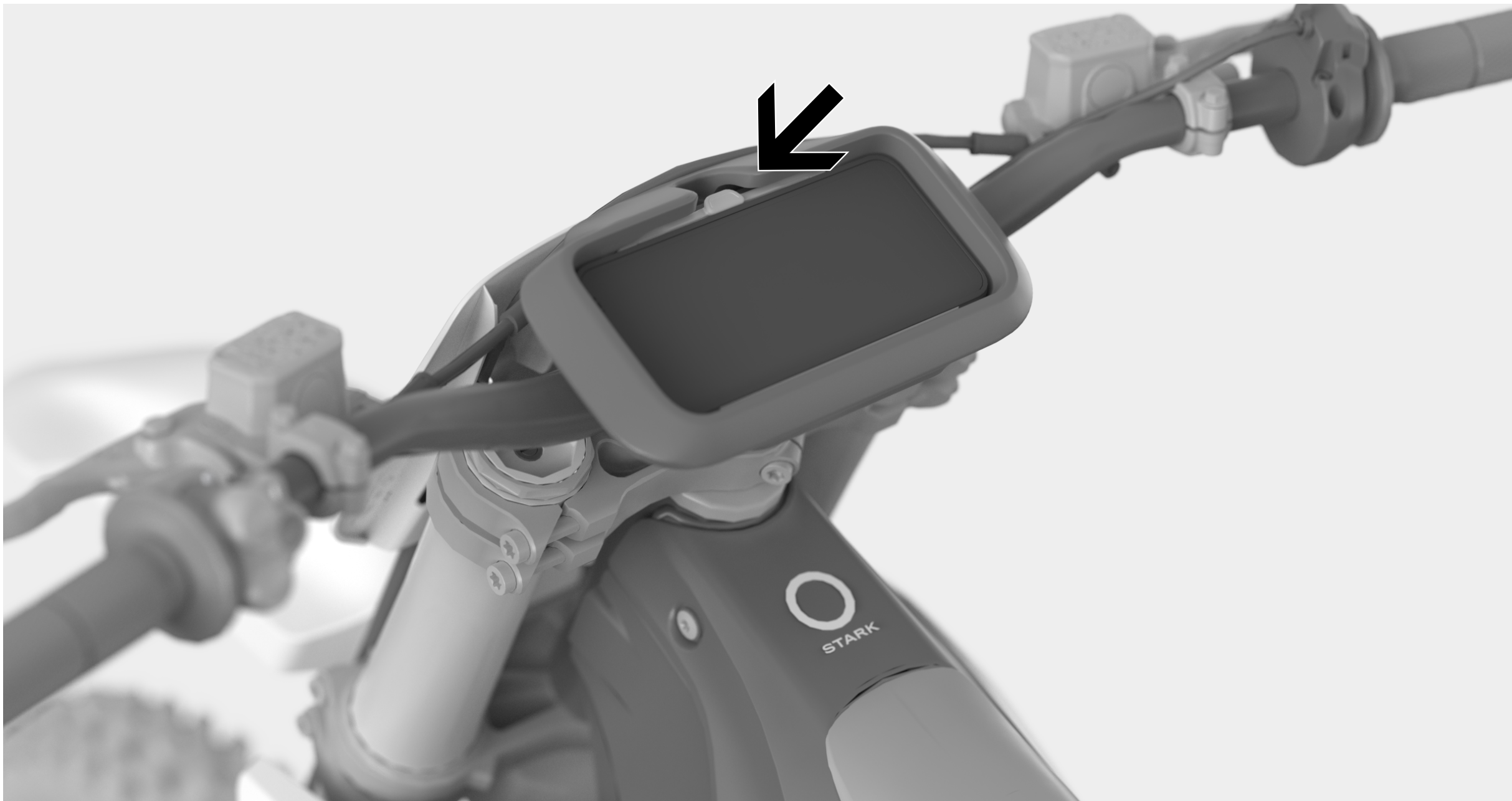
- Only put the official Stark phone, which is supplied with the product, inside the docking station of the Stark VARG MX 1.2. Do not attempt to mount any other device.
- The Stark phone will charge wirelessly while mounted on the docking station

To remove and externally charge the phone:

- 1 Unfasten the locking bolt of the docking station mechanism (TX10).



- 2 Press down the docking station release lever and take out the phone.



- 3 Connect the Stark phone with the supplied charging cable to a suitable power adapter and outlet.



## WARNING

If the Stark Future phone is removed the vehicle is no longer road legal. The Stark Future phone is the dashboard of the vehicle and must always be installed when riding on public roads.

## 5.3 HOW TO USE THE STARK FUTURE APP

---



### DANGER

**Risk of injury or death!** Always be vigilant when activating a new ride mode. Beware that the settings which can be adjusted in the Stark Future app influence the behavior of the motorcycle.



### NOTICE

Use the in-app instructions to familiarize yourself with the use of the Stark Future app and its settings.

## 5.4 HOW TO PREPARE THE STARK VARG MX 1.2 FOR A SAFE RIDE



### DANGER

- **Risk of injury or death!** Do not use the product under the influence of alcohol, any medicine or illegal drugs that could alter your capacity to drive, or if you are not physically or mentally able to drive.
- **Risk of injury or death!** It is formally prohibited to use the product if the product, or one of its components, hasn't been properly maintained or if it is used outside the scope of the intended use. It is forbidden to open the motor or the battery pack.
- **Risk of injury or death!** To reduce the risks of potential injury while using the product, it is necessary to be equipped with all compulsory protective clothing. For any kind of trip and for any person(s) that use the product, it is necessary to wear the correct protective clothing (helmet, boots, gloves, trousers and jacket equipped with protective means).



## DANGER

- **Risk of injury or death!** Only use protective clothing and helmet that is in perfect condition and complies with the legal requirements of the country of use.

### Required tools:

- Multiple tools which can be found in the included toolbox.

---

#### 5.4.1 Mechanical safety check table

---

### Check for loose nuts and bolts:

- 1 Check for loose nuts and bolts.
- 2 Tighten any loose nuts and bolts in accordance with the value engraved on the part or the torque setting table (see §[Torque setting table](#)).  
If you don't find information about the correct torque, please reach out to [support@starkfuture.com](mailto:support@starkfuture.com) for clarification.

## Check the wheel and tires:

- 1 Make sure that the tires are inflated to the required pressure and in good condition. The required pressure is stated in the Technical specifications table. Make sure any flat tires are fixed before riding, see §[Replacing parts](#).
- 2 Slowly rotate each wheel:
  - a Inspect the side walls and threads of the tire. Look out for cracks and objects that may be stuck in the outer layer.
  - b If the wheel wobbles or appears to be off-center, your wheel must be inspected. Consult a skilled technician.
  - c Check the rims for damages. Damage to the rim causes weak spots and can result in a faulty wheel over time.



### WARNING

- The Mousse has to be stored in the original box until application
- After a longer dwell time or after a longer time without using the tire with Mousse, the Mousse has to be equipped and tire and Mousse have to be greased with Mousse-Gel and afterwards has to be set up again.



## WARNING

- Store at a temperature between 5°C and 30°C.
- When using too little Mousse-Gel an increased friction between tire and Mousse occurs which leads to less life expectancy.
- Do not exceed the speed of 130km/h.
- Do not use on public streets.
- Do only use it in offroad terms.
- Protect from direct incident solar radiation.
- Installation should only be executed by professionals.
- Only suitable mousse gel should be used for mounting.
- Mousse should at the latest after 5 hours of use again be greased with Mousse-Gel.
- It is recommended to use a rim lock.
- Mousse should only be used with motocross and enduro tyres and the intended dimensions.
- However, if the Mousse is used in another dimension it is recommended to use one rim lock, if needed two opposite rim lock.
- Make sure that the Mousse and tire are located right on the rim of wheel.
- Resistance of the Mousse depends on the amount of use and the underground on which it is used.



## WARNING

- Depending on the duration and strain there can occur cracks and damages which cause the Mousse to be softer.
- Mousse can lose stability after a time which can lower the safety. When this occurs it is recommended to replace the Mousse.
- Ignoring these warnings can damage the Mousse the rim of wheel and / or the tire. Another consequence could be an accident which can harm you or someone else and damage your vehicle. Therefore, it is indicated to consider the warnings.

### Check the brakes:

- 1 While stationary: Squeeze each **hand brake** or the optional **foot brake** to make sure that there is resistance.
- 2 If there is no resistance: Contact support or your local dealer.
- 3 If there is too much resistance or the **brakes** make a squealing sound: the **brakes** might require adjustment. See [§Adjusting the brakes](#).

## Check the handlebar grips:

- Check for cracks, cuts or signs of wear: These can all have an impact on how the **grip** is fitted onto the **handlebars**. Worn or loosely fitted **handlebar grips** can slip off, potentially resulting in loss of control and falling.

## Check the battery:

- Check the **battery** charge status.

## Check the cables:

- Check the **exposed cables** for cracks, cuts or signs of wear.

## Check for updates:

- 1 Turn on the motorcycle by pressing the **On/Off button** for 2 sec on the control switch.
- 2 Check the color of the **light** on the control switch.
- 3 If the **light** on the control switch is **magenta**, the motorcycle needs to be updated. Do this by holding both the **+** and **- button** on the control switch for 5 seconds.

---

## 5.4.2 Torque setting table

---

The following table shows the torque settings for the main bolts and nuts of the Stark VARG MX 1.2.

Part		Torque Nm
<b>Brake discs</b>	bolts	14
<b>Brake pedal</b>	peg bolts	5
	sway bolts	20
	link bolts	10
<b>Carbon fiber spoiler</b>	bolts	3
<b>Chain slider</b>	bolts	5
<b>Throttle clip</b>	bolts	3
<b>Control switch</b>	bolt	2.5
<b>Docking station</b>	bolts	30
<b>Foot peg</b>	pin	20
<b>Fork brake line bracket</b>	screws	5
<b>Front fender</b>	bolts	8

Part		Torque Nm
Front brake caliper	bolts	25
Front number plate	bolt	5
Front wheel axle	lock bolt	35
	clamp bolts	15
Foot brake master cylinder	bolts	10
Hand brake master cylinder	clamp bolts	6
Lower rear fender	bolts	5
Mud flap	screws	3
Pull rod	nuts	60
Rear wheel axle	lock bolt	80
Rear wheel sprocket	bolts	35
Rocker arm	reverse lock nut	20
	main shaft	60
	shaft lids	5
	lock nut	60
Shock	top nut	40
	bottom nut	40

Part		Torque Nm
<b>Side plates</b>	top bolt	20
	bottom bolt	30
<b>Side stand</b>	bracket bolts	20
	leg bolt	35
<b>Skid plate</b>	bolts	15
<b>Spoiler assembly</b>	rear center bolt	10
	side bolts	20
	front bolts	5
<b>Swingarm</b>	axle	45
	clamp bolt	25
<b>Throttle</b>	bolt	2.5
<b>VCU</b>	side bolts	2
	center bolts	5



## NOTICE

**For Titanium Bolt Kit:** Use same torque settings as standard, verify torque after every ride.

## 5.5 HOW TO RIDE THE STARK VARG MX 1.2



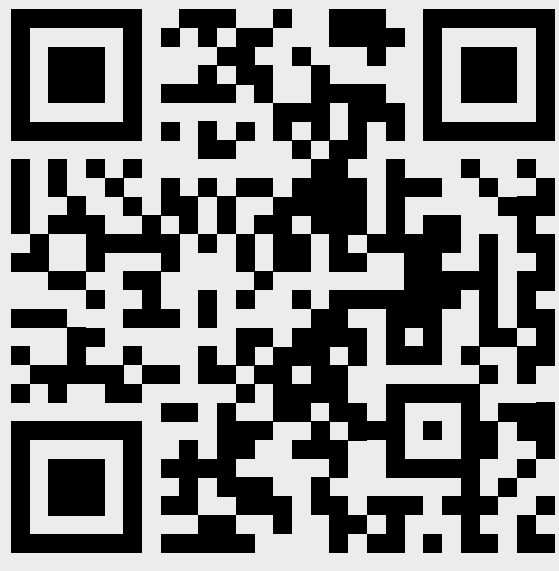
### DANGER

- **Risk of injury or death!** Do not use the product under the influence of alcohol, any medicine or illegal drugs that could alter your capacity to drive, or if you are not physically or mentally able to drive.
- **Risk of injury or death!** It is formally prohibited to use the product if the product, or one of its components, hasn't been properly maintained or if it is used outside the scope of the intended use. It is forbidden to open the motor or the battery pack.
- **Risk of injury or death!** The user assumes all responsibility while operating the product. The seller assumes no liability for misuse or operator negligence.
- **Risk of injury or death!** To reduce the risks of potential injury while using the product, it is necessary to be equipped with all compulsory protective clothing. For any kind of trip and for any person(s) that use the product, it is necessary to wear the correct protective clothing (helmet, boots, gloves, trousers and jacket equipped with protective means).



## DANGER

- **Risk of injury or death!** Only use protective clothing and helmet that is in perfect condition and complies with the legal requirements of the country of use.
- **Risk of injury!** Always turn the product off when you are not riding, by pressing the On/Off button on the control switch. An accident may occur if the product is powered up while getting on or off the product and the throttle is twisted.
- **Risk of injury!** When using the product, some components start moving (chain, wheels) and become dangerous for the user. It is important to take the right measures to avoid any unnecessary risks.
- Always ride at a safe speed that allows you to react quickly to unexpected circumstances.
- Always use lights and reflectors in low-light or dark conditions.
- Take into account that the battery performance and the range depends on many factors, including load, tire pressure, driving circumstances, or operational temperature.



Tap or scan to watch the online instructional videos on how to ride the Stark VARG MX 1.2.

## 5.5.1 Use the throttle

- 1 Make sure you are seated on the motorcycle and you are keeping the motorcycle stable, while the **side stand** is folded up.
- 2 Press the **On/Off button** for 2 sec on the control switch to turn the Stark VARG MX 1.2 on.
- 3 Press the - button, when the LED light is solid green the bike is ready to accelerate.
- 4 Gently rotate the **throttle** backwards to increase engine power, up to the point there is enough momentum to move forward.



### WARNING

Beware of your surroundings and make sure nothing or no one is blocking your way forward.

- 5 While riding, rotate the **throttle** further downwards to increase the speed and upwards to decrease the speed.

---

## 5.5.2 Use the brakes

---



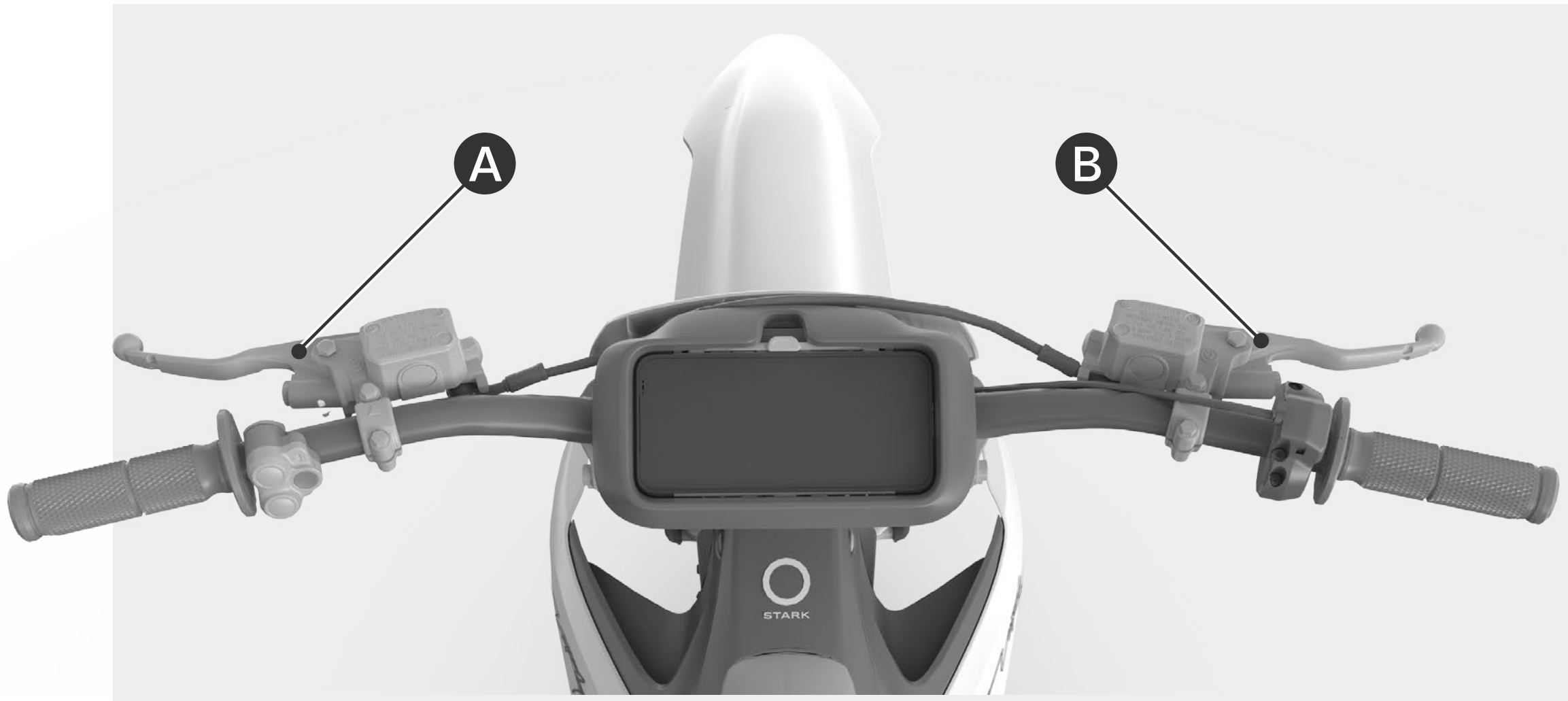
### DANGER

- **Risk of injury!** Beware of falling over the handlebar when only using the front brake. Front and rear brakes must always be used simultaneously.
- Beware of increased braking distances in wet weather.

The Stark VARG MX 1.2 is equipped with either two hand brakes or one hand brake and a foot break, depending on user preference.

### Two hand brakes:

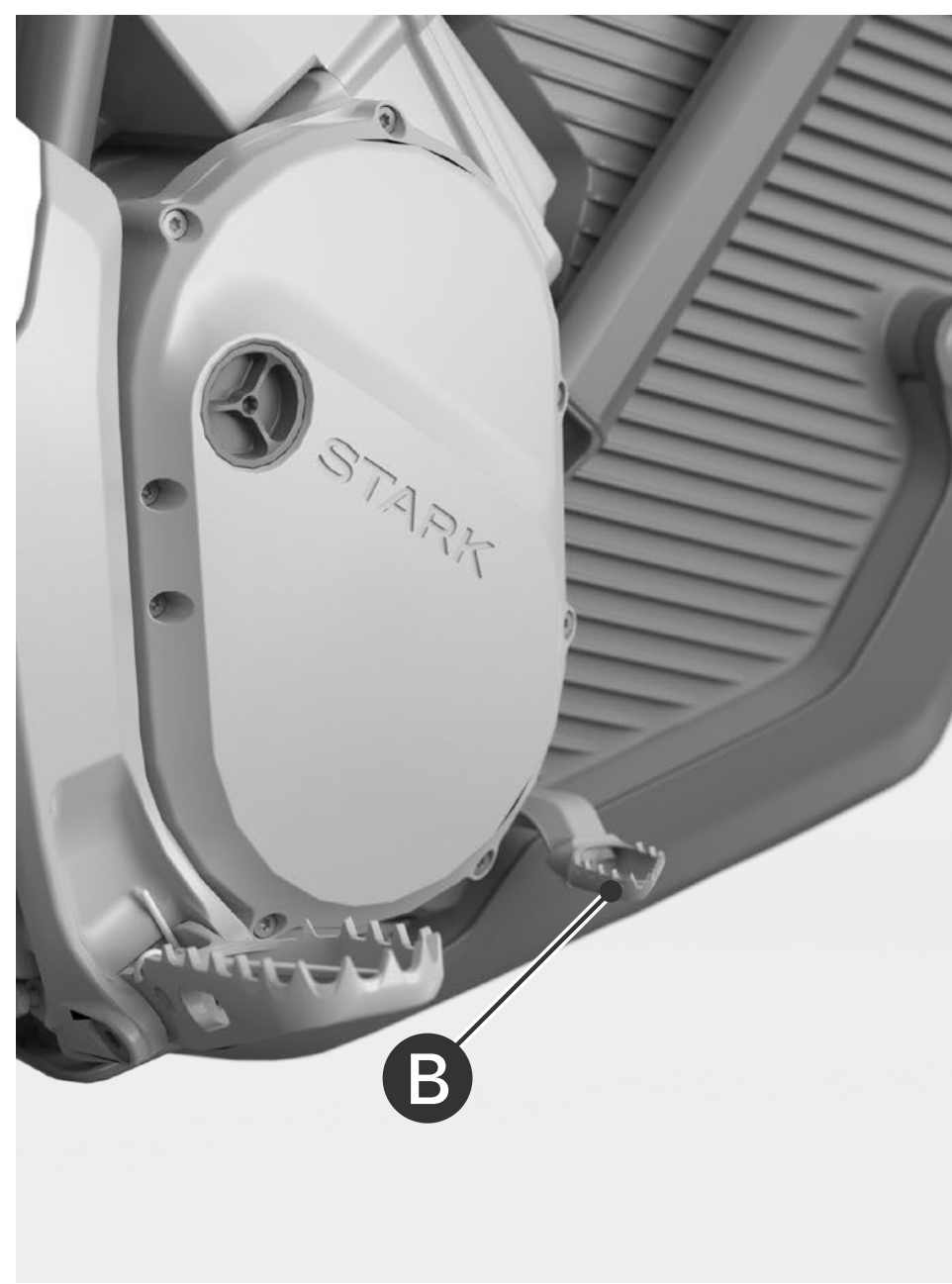
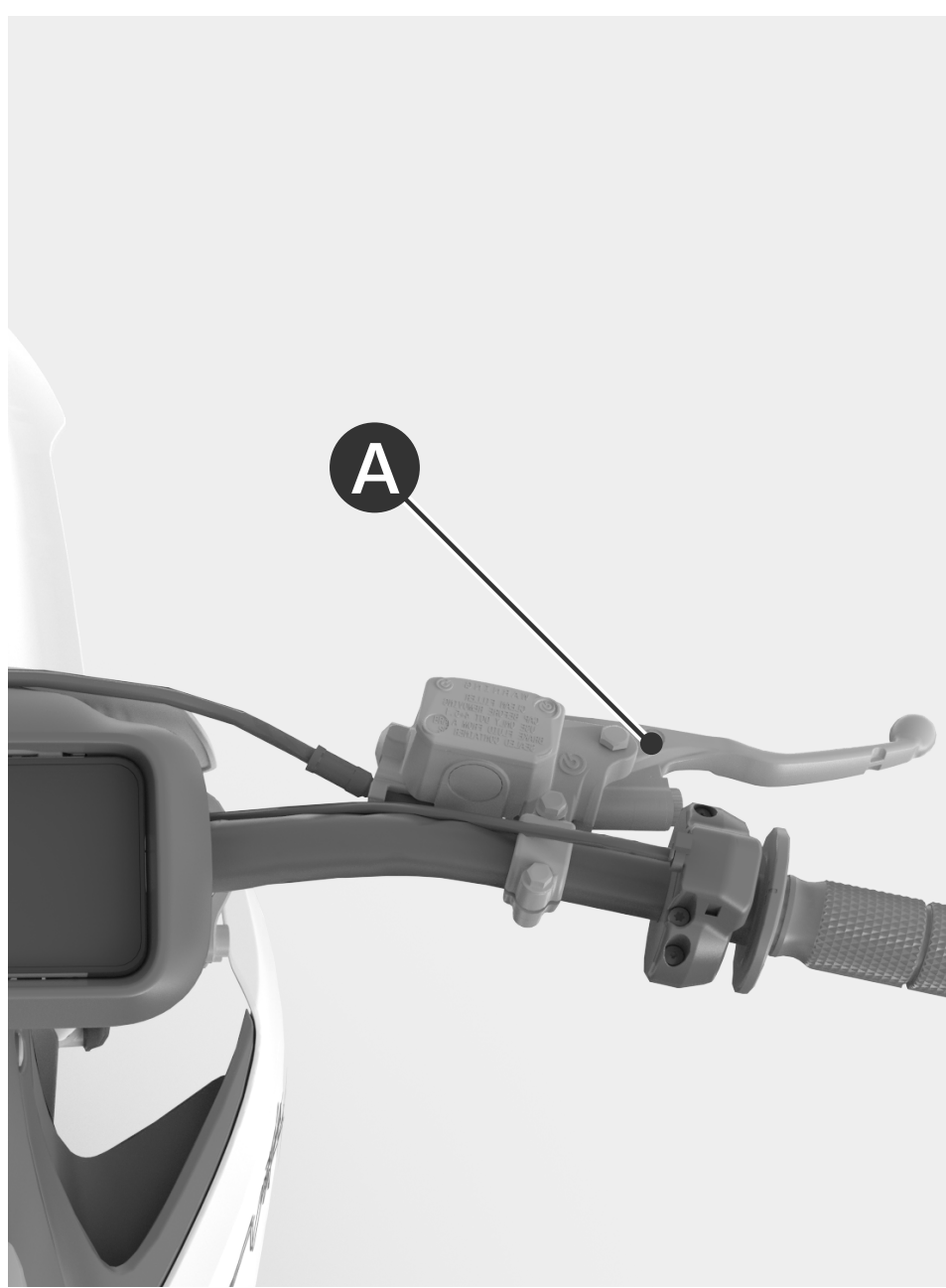
- Squeeze the **right hand brake** to stop the **front wheel**.
- Squeeze the **left hand brake** to stop the **rear wheel**.



**A** Rear hand brake      **B** Front hand brake

### One hand brake and one foot break:

- Squeeze the **hand brake** to stop the **front wheel**.
- Push the **foot brake** down to stop the **rear wheel**.



**A** Front hand brake      **B** Rear brake tip

---

## 5.5.3 Switch between ride modes

---



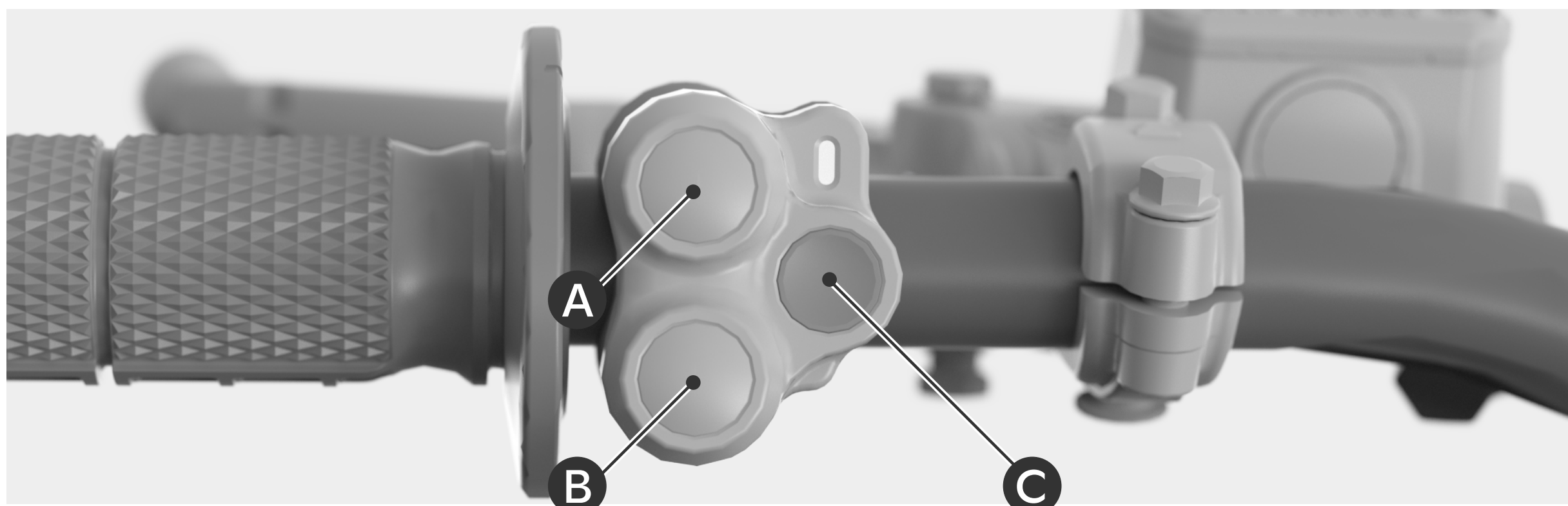
### DANGER

**Risk of injury or death!** Always be vigilant when activating a new ride mode. Beware that the settings which can be adjusted in the Stark Future app influence the behavior of the motorcycle.

With the Stark Future app ride modes can be customized, by adjusting the power curve and engine braking. A ride mode can be activated when the Stark VARG MX 1.2 is turned on, even while riding.

#### To switch between ride modes:

- Press the **Top button** once to move up one ride mode.
- Press the **Bottom button** once to move down one ride mode.
- Maintain the **Top button** pressed to turn on Crawl frontwards mode
- Maintain the **Bottom button** pressed to turn on Crawl reverse mode



A Top button

C On/Off button

B Bottom Button

#### 5.5.4 Use the adjustable suspension system



### DANGER

- **Risk of injury or death!** Do not use the product under the influence of alcohol, any medicine or illegal drugs that could alter your capacity to drive, or if you are not physically or mentally able to drive.
- **Risk of injury or death!** It is formally prohibited to use the product if the product, or one of its components, hasn't been properly maintained or if it is used outside the scope of the intended use. It is forbidden to open the motor or the battery pack.
- **Risk of injury or death!** The user assumes all responsibility while operating the product. The seller assumes no liability for misuse or operator negligence.



## DANGER

- **Risk of injury or death!** To reduce the risks of potential injury while using the product, it is necessary to be equipped with all compulsory protective clothing. For any kind of trip and for any person(s) that use the product, it is necessary to wear the correct protective clothing (helmet, boots, gloves, trousers and jacket equipped with protective means).
- **Risk of injury or death!** Only use protective clothing and helmet that is in perfect condition and complies with the legal requirements of the country of use.
- **Risk of injury or death!** Adjustments to the suspension should be carried out by a qualified person. Incorrect adjustment of the suspension may cause loss of control and falling.

## 5.5.4.1 Front suspension

**The forks must be bled after every ride:**

- 1 Ensure the bike is on the stand and the front suspension fully extended.
- 2 To bleed the forks, unscrew the bleeder **A** until all air is released.
- 3 Tighten the bleeder screw **A** once properly bled.

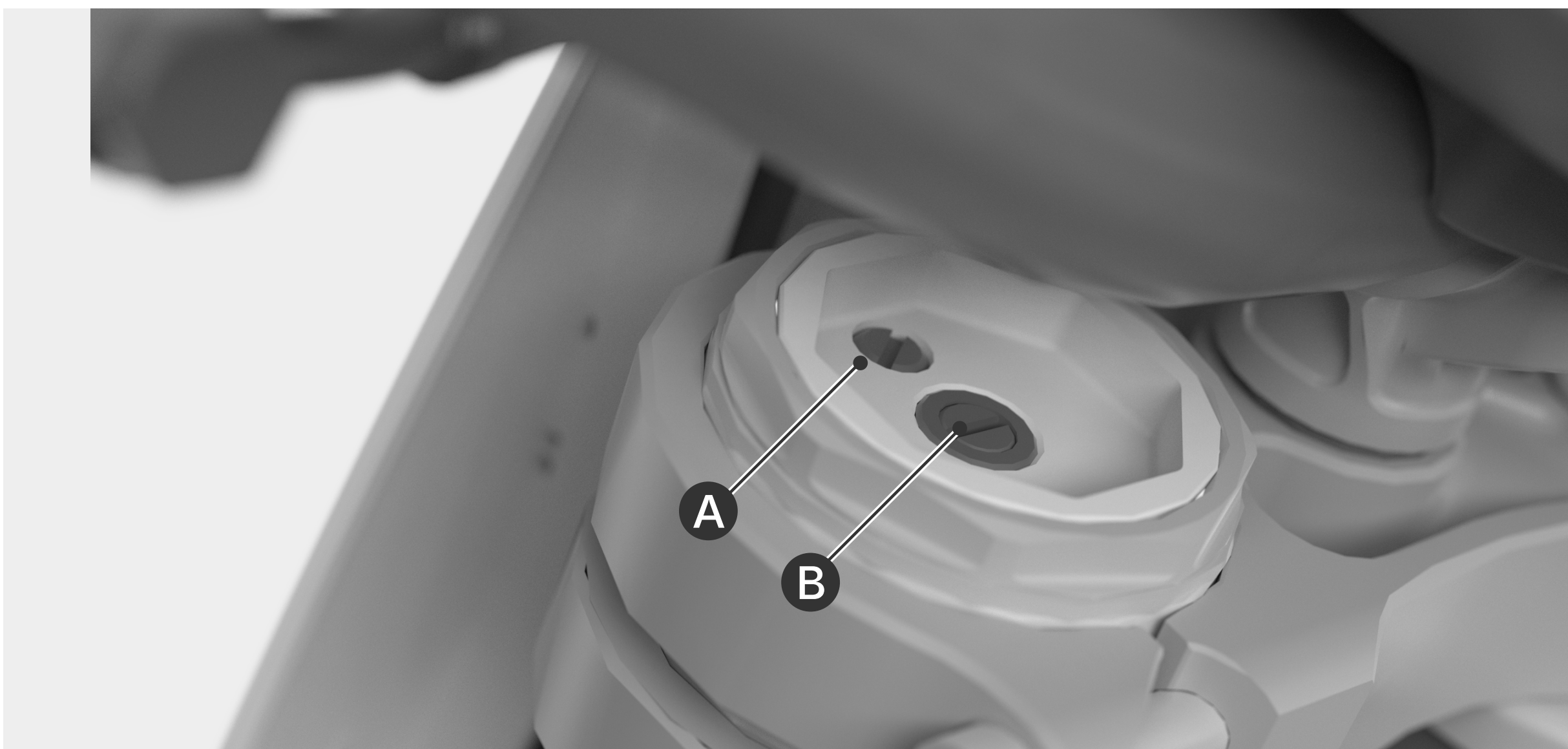
**Fork compression adjustment:**

- 1 Turn the compression adjustment screw **B** clockwise to harden the suspension
- 2 Turn the compression adjustment screw **B** counterclockwise to soften



### NOTICE

Ensure the same adjustments are made to both forks to ensure balance.



(Image on previous page)

**A** Bleeder

**B** Compression  
adjustment

### Fork rebound adjustment:

- 1 Turn the rebound adjustment screw **A** clockwise for slower rebound of the suspension.
- 2 Turn the rebound adjustment screw **A** counterclockwise for faster rebound of the suspension.



### NOTICE

Ensure the same adjustments are made to both forks to ensure balance.

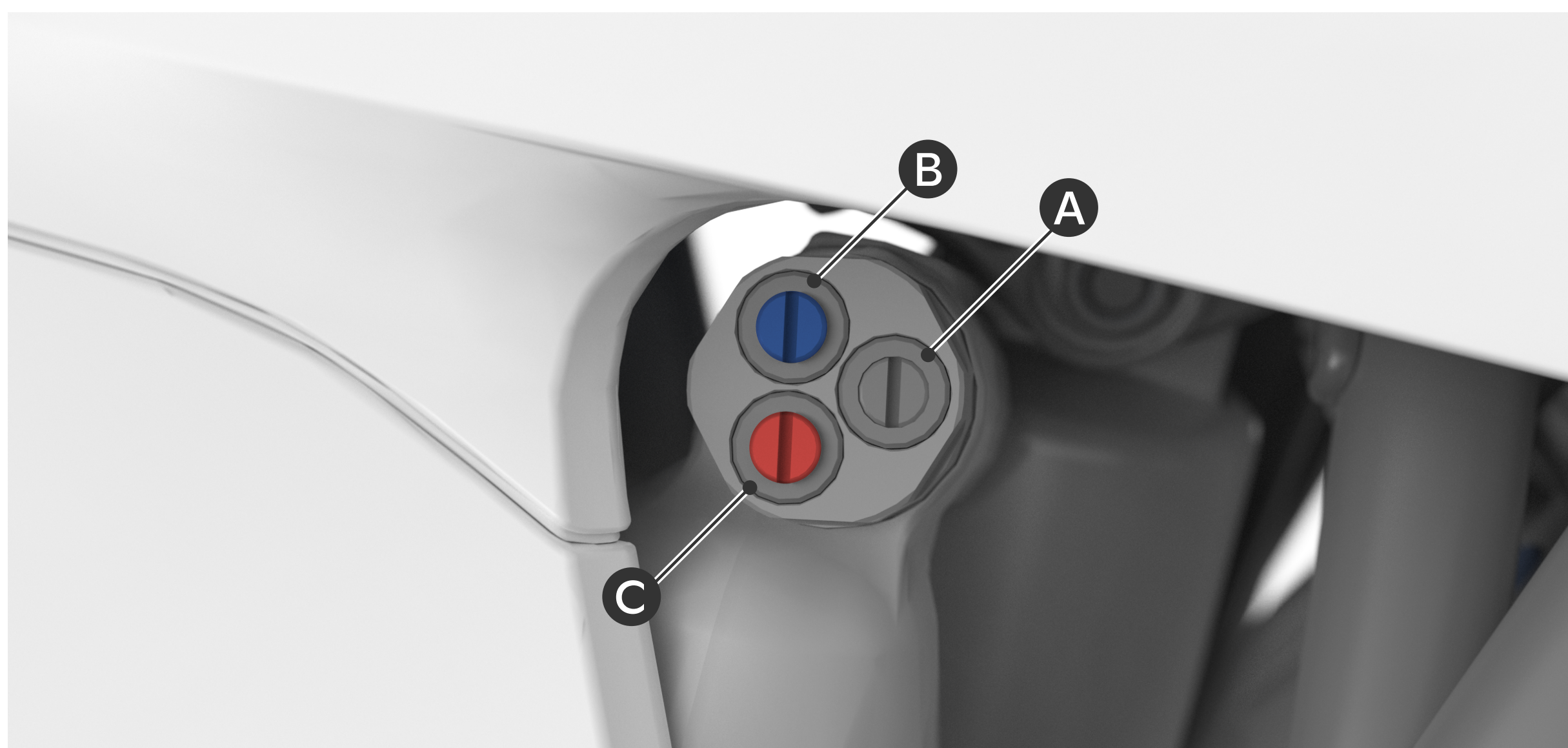


**A** Rebound adjuster

## 5.5.4.2 Rear Suspension

### Shock compression adjustment:

- Turn the compression adjustment screws A or B clockwise to harden the suspension
- Turn the compression adjustment screw A or B counterclockwise to soften the suspension



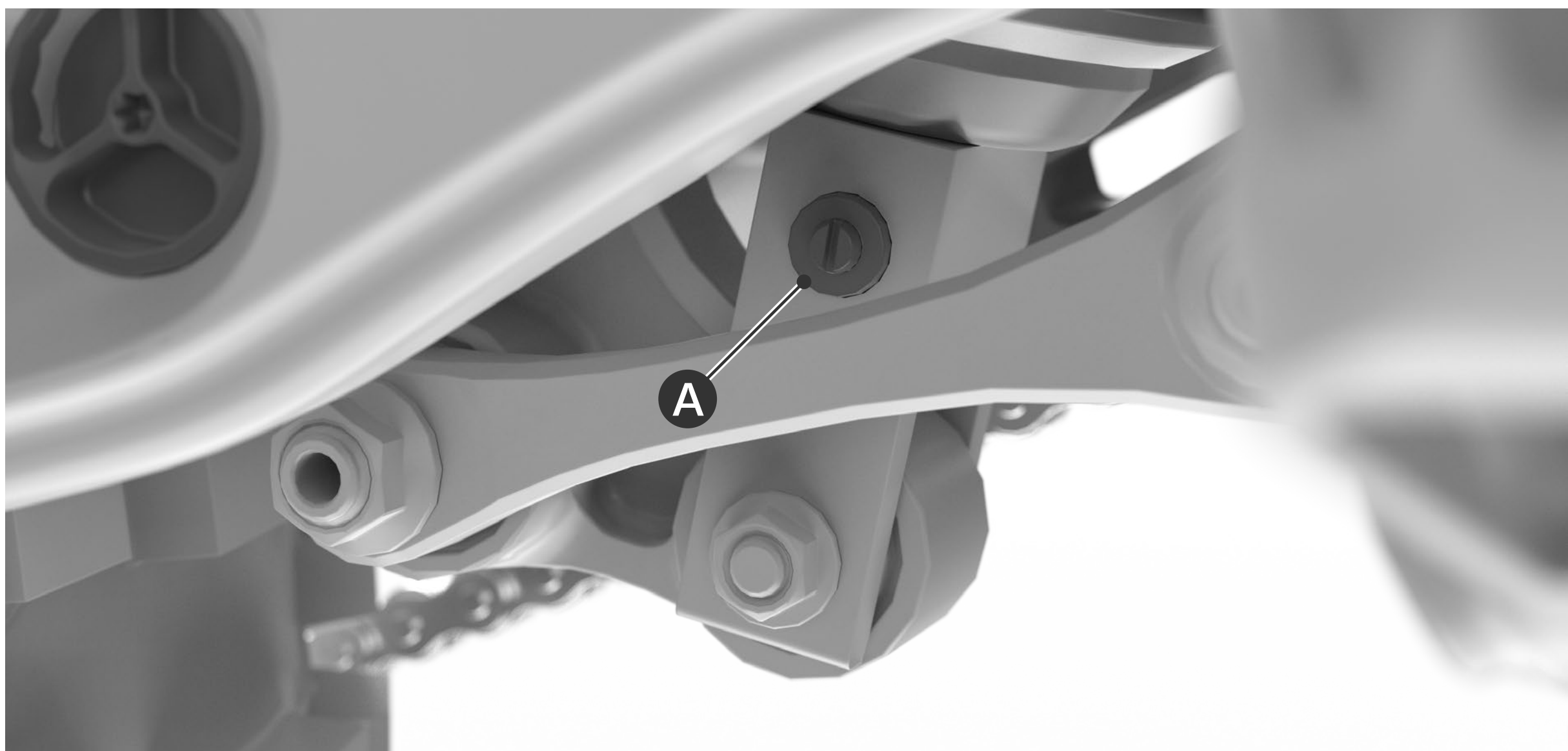
**A** Low speed compression adjuster

**B** High speed compression adjuster

**C** Low speed rebound adjuster

## Shock rebound adjustment

- Turn the rebound adjustment screws **C** or **D** clockwise for slower rebound of the suspension
- Turn the rebound adjustment screws **C** or **D** counterclockwise for faster rebound of the suspension



**A** High speed rebound adjuster

## 5.5.5 Checking the SAG



- 1 Measure the **height A** between the wheel axle and the **SAG marking** on the rear spoiler with the bike on the stand and both **wheels off the ground**.



- 2 Place the bike with both wheels on the ground and measure the **height B** between the wheel axle and the SAG marking on the rear spoiler. Recommended value is: **height A** (see step 1) 40 mm +/- 3 mm.



- 3 Place the bike with both **wheels on the ground** and, with a **rider sitting on the bike**, measure the **height C** between the wheel axle and the SAG marking on the rear spoiler. Recommended value is: **height A** (see step 1) **110mm +/-3mm**.



## NOTICE

SAG must be measured with levelled ground, to obtain a precise value, and the rider sitting in the center of the bike.

---

## 5.6 WHAT TO DO IN AN EMERGENCY SITUATION

---



### DANGER

- **Risk of injury or death!** It is formally prohibited to use the product if the product, or one of its components, hasn't been properly maintained or if it is used outside the scope of the intended use. It is forbidden to open the motor or the battery pack.
- **Risk of injury or death!** Do not use the product if the battery pack is damaged. When the battery pack is damaged, it may present a fire hazard.
- **Risk of explosion!** Do not charge or use a battery that is damaged. If the battery is damaged, it must be discarded immediately.

---

### 5.6.1 What to do in case of malfunction or breakdown

---

- 1 Make sure the Stark VARG MX 1.2 is off.
- 2 Perform basic troubleshooting of [§Troubleshooting](#).
- 3 Contact a specially trained technician, if troubleshooting is not solving the issue.

---

## 5.6.2 What to do in case of an accident

---

- 1 If needed, the victim(s) should be cared for accordingly. Make sure that the victim(s) receive appropriate medical assistance.
- 2 Make sure the Stark VARG MX 1.2 is off.

---

## 5.6.3 What to do in case of fire

---

- 1 Everyone should evacuate themselves to a safe distance immediately.
- 2 Alert the appropriate authorities.

6

---

**CLEANING AND  
MAINTENANCE**



## DANGER

- **Risk of injury or death!** Use only original parts. These parts have been tested and approved by the manufacturer. Under no circumstances should you try to replace the components such with components of another brand, at the risk of causing irreversible damages to your product. The manufacturer does not assume any responsibility for the adaptation of unapproved parts.
- **Risk of injury or death!** The high voltage components on the motorcycle should only be serviced by specially trained technicians. Do not probe, tamper with, cut, or modify high voltage cables or wiring.
- **Risk of injury or death!** Alterations to the product and technical modifications are not permitted. Failure to do so may result in damage or severe or fatal injuries and it will invalidate the warranty.
- **Risk of injury!** Always turn the Stark VARG MX 1.2 off completely before performing any cleaning or maintenance tasks.
- **Risk of damage!** Repairs shall only be done by a qualified and trained technician who is familiar with repairing similar products.

## 6.1 MAINTENANCE SCHEDULE

In order to keep your motorcycle in good condition it must be **inspected** and **maintained** at regular intervals.



### NOTICE

All torque settings stated in [§Torque setting table](#).

Tasks	Frequency
<b>Performing a mechanical check</b>	Before every ride, see 5.4 How to prepare the Stark VARG MX 1.2 for a safe ride.
<b>Cleaning the Stark VARG MX 1.2.</b>	After every ride, see 6.2 Cleaning the Stark VARG MX 1.2 after use.
<b>Check Stark phone pairing with the bike is correct</b>	Contact support
<b>Check the motorcycle for faulty, defect or broken parts.</b>	Check while cleaning or before every ride. See 8.2 Replacing parts on how to replace certain parts of the Stark VARG MX 1.2



## CAUTION

Repairs shall only be done by a qualified and trained technician who is familiar with repairing similar products.

### 6.1.1 Before and after every ride

	Tasks	If not ok
	<b>Visually inspect electric wiring and connectors for pinched or broken insulation</b>	Contact support
	<b>Check that the Stark phone is charging</b>	Contact support
<b>ELECTRONICS</b>	<b>Check Stark phone pairing with the bike is correct</b>	Contact support
	<b>Read out fault memory using Stark phone</b>	Contact support

	Tasks	If not ok
<b>BRAKES</b>	<b>Check brake lines for leaks</b>	Replace as necessary
	<b>Check brake discs and pads wear</b>	Replace as necessary
	<b>Check fluid levels and leaks</b>	Do service
	<b>Check the tightness of bolts, shafts and nuts</b>	Retighten if possible, if not contact support
<b>FRAME</b>	<b>Check frame for structural damages</b>	Contact support
	<b>Check wear on pull rod, rocker arm and swingarm bushes</b>	Replace as necessary
	<b>Check steering head play</b>	Contact support
	<b>Check the tightness of shafts, bolts and nuts</b>	Retighten if possible, if not contact support
<b>SUSPENSION</b>	<b>Check for fluid leaks and seals wear</b>	Do service
	<b>Check bumper stop rubber condition</b>	Replace as necessary
	<b>Check tightness of the shock spring nut</b>	Retighten if possible, if not contact support

	Tasks	If not ok
<b>BATTERY</b>	<b>Check battery status</b>	Charge if below 20%
	<b>Check battery valve condition for debris clogging the holes</b>	Clean if possible, replace if necessary
	<b>Check correct tightness of the mounting shafts</b>	Retighten if possible, if not contact support
<b>COOLING</b>	<b>Check coolant level</b>	Do service
	<b>Check for leaks, including hoses</b>	Replace as necessary
	<b>Check fan blade is turning freely without abnormal noises</b>	Contact support
<b>TRANSMISSION</b>	<b>Check correct chain tension</b>	Adjust if possible, if not contact support
	<b>Check chain wear</b>	Replace as necessary
	<b>Check chain slider and chain guide wear</b>	Replace as necessary
	<b>Check sprockets wear</b>	Replace as necessary
	<b>Check tightness on the sprockets</b>	Retighten if possible, if not contact support

	Tasks	If not ok
<b>WHEELS</b>	<b>Check tires condition</b>	Replace as necessary
	<b>Check for correct tire pressure</b>	Inflate/deflate as necessary, repair puncture if possible
	<b>Check for wheel play</b>	Contact support
	<b>Check spokes tension</b>	Retighten if possible, if not contact support
	<b>Check hub seals condition</b>	Replace as necessary
	<b>Check for damages on the rims</b>	Replace as necessary
	<b>Check for wheel centeredness</b>	Adjust if possible, if not contact support
<b>FULL VEHICLE</b>	<b>Check brakes operation</b>	Do service

## 6.1.2 Service intervals

Task	Frequency
Grease chain	Before and after every ride
Grease docking station release mechanism	
Bleeding the forks	After every ride
Break in oil change	At 5 riding hours
Change brake fluid	Every 12 months
Change coolant	
Change forks oil	Every 15 riding hours or every 12 months*
Clean and lubricate shock and linkage bearings	
Service the forks	Every 40 riding hours or every 12 months*
Service the shock	
Change gear oil	
Inspect motor gears and bearings	Every 80 riding hours or every 12 months*

\*whichever occurs first and performed by workshop

## 6.2 CLEANING THE STARK VARG MX 1.2 AFTER USE

Make sure that you clean your motorcycle after every use. It gives you the chance to spot any faults or defective parts before they develop into anything serious.



### NOTICE

Stark Future's mission is to lead the way toward a sustainable motorcycle industry, by reducing plastic and CO<sub>2</sub> pollution. When possible, use non-plastic, reusable, sustainable materials that do not cause harm for the environment.

### Required tools and supplies:

- Clean cloths
- Sponge
- Bucket
- Brushes
- Neutral non-aggressive cleansing agent (pH value of between 6 and 8)
- Chain degreaser

### To clean the Stark VARG MX 1.2:

- 1 Make sure the motorcycle is standing upright and stable, preferably on the **side stand**.

- 2 Make sure the Stark VARG MX 1.2 is turned off.
- 3 Take the **Stark Future phone** out of the **docking station**.
- 4 Spray the Stark VARG MX 1.2 with cold tap water to remove coarse dirt.



## NOTICE

Do not use a high pressure cleaner. Water coming from a high-pressure hose can cause damage to the bearings of your motorcycle. Water can also get into the electrical wiring, which can lead to short-circuits in the electrical system.

- 5 Apply a wet sponge with neutral non-aggressive cleansing agent to the bodywork, when necessary.
- 6 Use a clean cloth with degreaser to clean the chain. Use the cloth to clean between chainrings, cogs and other hard-to-reach parts. If necessary, use a brush to get into the hard-to-reach parts.
- 7 Wash off each **wheel** with a brush moistened in water and neutral non-aggressive cleansing agent, when necessary.
- 8 Clean the area around the valve, scrub all the way around the **wheel** and clean the spokes and the wheel hub
- 9 Rinse the Stark VARG MX 1.2 thoroughly with a gentle stream of tap water.

- 10 Let the Stark VARG MX 1.2 air-dry in the sun or gently wipe it dry with a clean cloth.
- 11 Make sure the **drive chain** is completely dry and lubricate it, see [§Lubricating the chain](#).

---

## 6.3 LUBRICATING THE CHAIN

---

### Required supplies:

- Clean cloths
- Chain lubricant

### To lubricate the chain of the Stark VARG MX 1.2:

- 1 Make sure the motorcycle is standing upright and stable, with the rear wheel lifted off the ground.
- 2 Make sure that the motorcycle is clean and that the drive chain is degreased. See [§Cleaning the Stark VARG MX 1.2 after use](#).
- 3 Spin the rear wheel with one hand while spraying lubricant on the drive chain with the other hand. Make sure the chain makes one full revolution.



## CAUTION

Make sure the motorcycle is turned off. Only move the chain by turning the rear wheel by hand. Moving the chain by using the throttle may cause fingers or other body parts to get caught on the chain, causing injuries.

- 4 Take a clean cloth and wipe off excess lubricant.



## NOTICE

The chain does not need to be soaked in lubricant. This will only attract dirt.

---

## 6.4 ADJUSTING THE CHAIN TENSION

---

### Required tools:

- Multiple tools which can be found in the included toolbox.

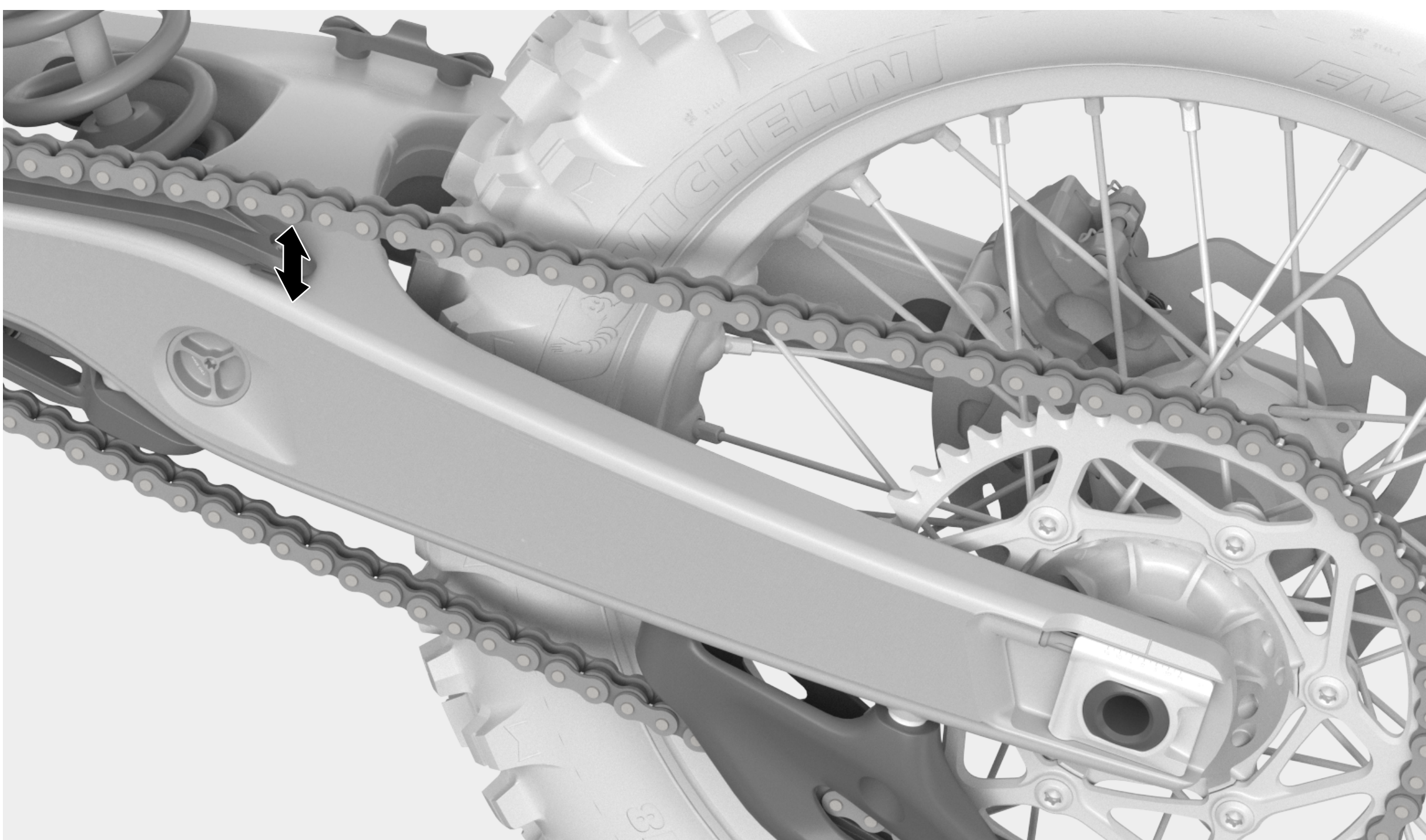
### To adjust the chain tension of the Stark VARG MX 1.2:

- 1 Make sure the motorcycle is standing upright and stable, with the **rear wheel** lifted off the ground.
- 2 Loosen the rear wheel axle lock nut.
- 3 Use a suitable **torque wrench** from the toolbox to turn the **adjuster screw** of the **rear-clicker** on the side of the **rear wheel** where the **drive chain** is located. Turn it clockwise to put tension on the chain and counterclockwise to release tension on the chain.



## NOTICE

The rear-clicker makes a clicking sound on every 90 degree rotation. This makes adjusting the other side of the wheel easier, by adjusting the rear-clicker with the same amount of clicks.



- 4 Adjust the **rear-clicker** on the other side of the **rear wheel** with the same amount of clicks.



## NOTICE

See §[Torque setting table](#).

- 5 Measure if the chain slack is around 45-50 mm (1.8 – 2.0 inches) at the end of the **chain slider**.
- 6 Insert a rag between the chain and the rear wheel sprocket and spin the wheel slightly backwards.
- 7 Tighten the **rear wheel axle** lock nut to 80 Nm.



## CAUTION

Make sure the motorcycle is turned off. Only move the chain by turning the rear wheel by hand. Moving the chain by using the throttle may cause fingers or other body parts to get caught on the chain, causing injuries.

## 6.5 ADJUSTING THE BRAKES

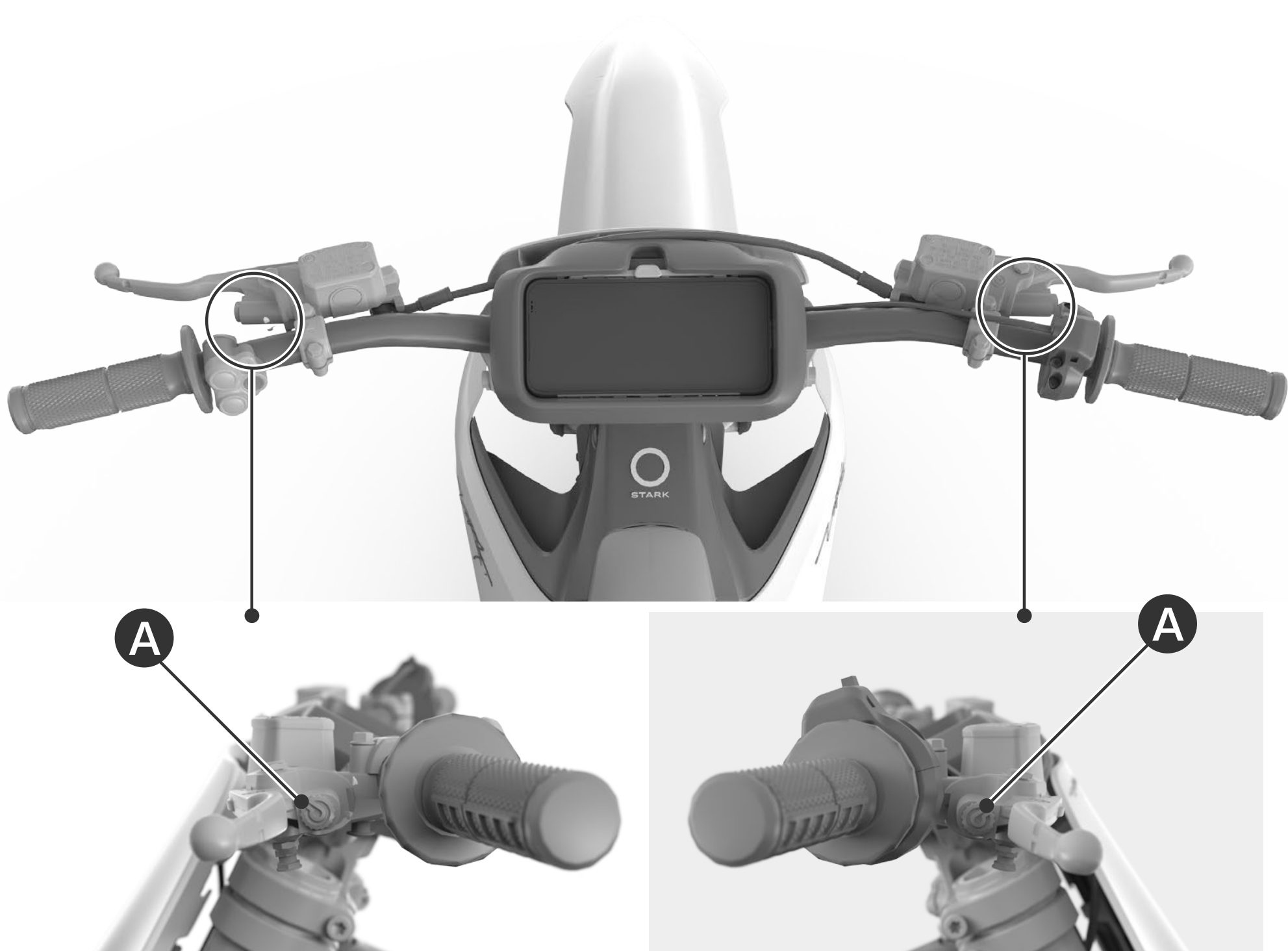


### DANGER

- **Risk of injury!** Beware of falling over the handlebar when only using the front brake. Front and rear brakes must always be used simultaneously.
- Beware of increased braking distances in wet weather.

To adjust the hand brakes on the Stark VARG MX 1.2:

- 1 Turn the **A** adjuster clockwise to adjust the lever further away from the handlebar.
- 2 Turn the **A** adjuster counterclockwise to adjust the lever towards the handlebar.

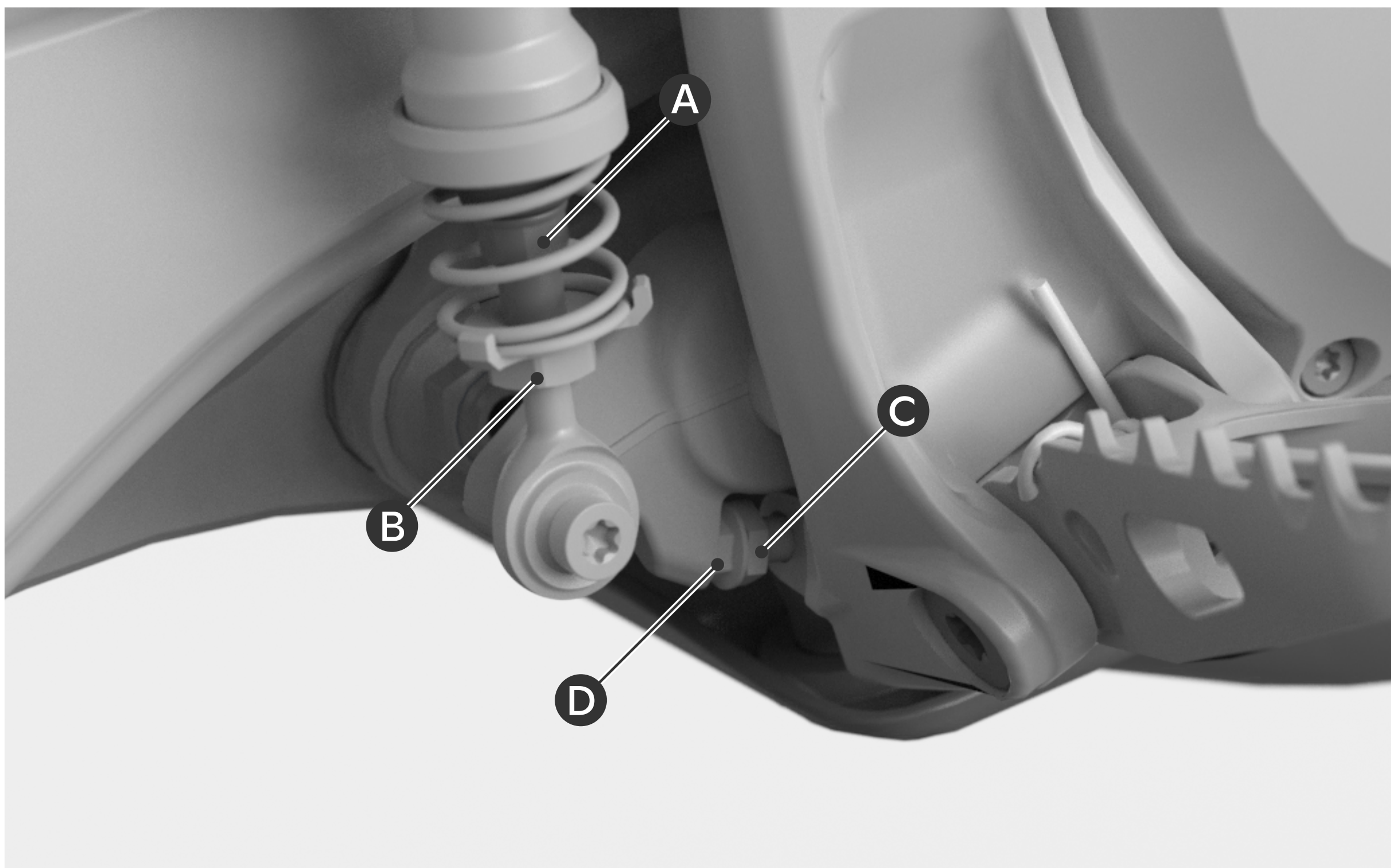


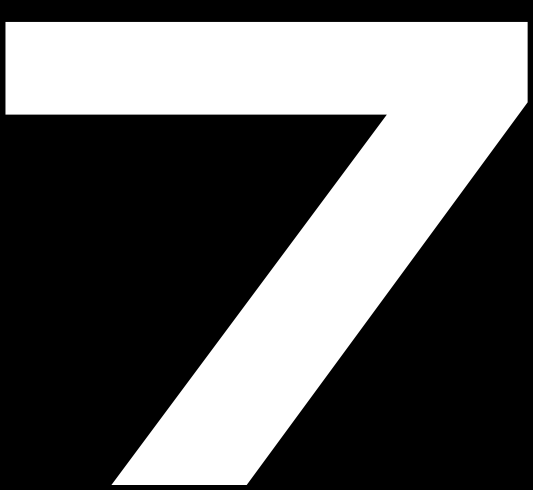
## To adjust the foot brake position on the Stark VARG MX 1.2:

- 1 Loosen the 10mm locking nut **C**.
- 2 Turn the 8mm adjuster bolt **D** to move the pedal up or down.
- 3 Tighten the 10mm locking nut **C**.

## To adjust the foot brake play on the Stark VARG MX 1.2:

- 1 Loosen the 13mm locking nut **B**.
- 2 Turn the 10mm adjuster bolt **A** to move the pressure point up or down.
- 3 Tighten the 13mm locking nut **B**.





---

**TRANSPORT  
AND STORAGE**

## 7.1 CENTRE OF GRAVITY



### CAUTION

**Risk of tilting!** Always make sure the motorcycle is stable, while performing any transporting tasks.

The motorcycle's center of gravity is indicated with a downward pointing arrow in the image below.



## 7.2 HANDLING AND TRANSPORTING THE STARK VARG MX 1.2



### CAUTION

Never use any lifting tools to lift the motorcycle. Only move the Stark VARG MX 1.2 around on its two wheels.

### To handle and transport the Stark VARG MX 1.2:

- 1 Move the motorcycle onto a horizontal **trailer** with sufficient capacity and the ability to stabilize both wheels and/or the frame.
- 2 Use adequate cargo straps around the forks and over the lower triple clamp to each side of the trailer to secure the bike against shocks.



- 3 Make sure the clamping straps are tightened properly and there is no possibility of sudden movements and or instability.
- 4 Make sure to observe the weight distribution in accordance with the trailer specifications.

---

## 7.3 STORING THE STARK VARG MX 1.2

---



### DANGER

- **Risk of injury or death!** Do not use the product or store it inside if the battery pack or any electrical or powertrain related component is damaged. When any of these components are damaged they may present a fire hazard.
- **Risk of explosion!** The battery and the charger must be dry before operation. Dry the battery and the charger with a soft cloth.
- **Risk of explosion!** Do not charge or use a battery that is damaged. If the battery is damaged, it must be discarded immediately.
- **Risk of damage!** After charging, the charger must be disconnected from the bike and the AC power socket immediately.



## DANGER

- Always charge and store the battery in a dry environment.
- Do not charge a battery at temperatures below 4°C (40°F).
- Do not charge a battery that has been exposed to seawater.
- Do not charge the battery with charger cables that may be damaged.
- Do not charge the battery near flammable materials.
- Do not leave the battery unattended while charging.
- If the product appears to be bulging or shows other undesirable phenomena (e.g. excess noise), stop using the product immediately.
- Do not cover the product while charging the battery. Charge the product in a well-ventilated environment.
- Batteries produce heat when charging and discharging. If the product becomes too hot to touch, switch the product off and unplug immediately.
- If the battery leaks avoid contact with skin and eyes. Rinse affected areas immediately with plenty of clean water, then consult a doctor.

## To store the Stark VARG MX 1.2:

There are a few main things to consider when storing the bike for a longer period of time:

- Make sure the storage temperature is between 0 and 30 °C, with a preferred storage temperature of 10 °C.
- Make sure the motorcycle is clean, see [§Cleaning the Stark VARG MX 1.2 after use](#)
- Make sure that the battery charge is between 30% and 50%.
- Check the charge of the battery regularly. If the charge drops below 30%, recharge the battery to 50%.
- Store the bike in a dry area free from frost.



### NOTICE

Monitor battery status every two weeks. Do not let the battery discharge completely.

# 8

---

**TROUBLESHOOTING  
AND REPLACING PARTS**

---

## 8.1 TROUBLESHOOTING

---

Consult <https://starkfuture.com/support> ↗ for the most up-to-date overview of troubleshooting information.

---

## 8.2 REPLACING PARTS

---

Consult <https://starkfuture.com/parts-and-accessories/spare-parts> ↗ for a comprehensive list of spare parts or find your closest authorized dealer at [starkfuture.com/store](https://starkfuture.com/store) ↗

Tutorials, digital assistance and instructional videos on how to replace parts of the Stark VARG MX 1.2 can be found at [starkfuture.com/support](https://starkfuture.com/support) ↗

9

---

DISPOSAL

---

## **9.1 HOW TO RECYCLE PARTS**

---

At the end of the technical lifespan, specific parts can be used again in a second life cycle. Old or worn parts have to be disposed of in the most environmentally friendly way, for example by bringing them to an acknowledged recycling center.

---

## **9.2 HOW TO DISPOSE OF HARMFUL SUBSTANCES**

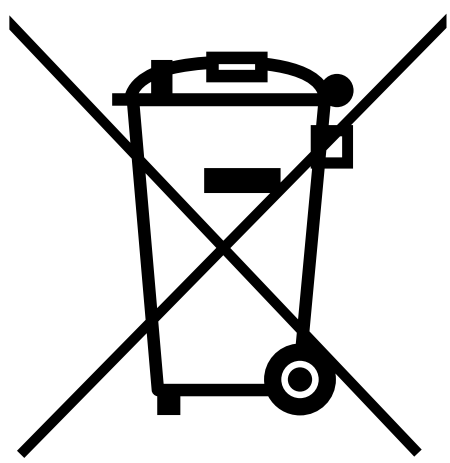
---

Familiarize yourself with the national and local regulations with respect to environmentally friendly disposal of harmful substances such as oil and lubrication agents, parts and materials. If certain chemicals have been used for cleaning, you have to dispose of these in an environmentally friendly way. Also think of cloths and such that have become filthy with lubrication agents or oil. Consult the instructions for the chemicals for more information.

---

## 9.3 HOW TO DISPOSE OF ELECTRONIC COMPONENTS

---



The Waste Electrical and Electronic Equipment (WEEE) Directive aims to minimize the impact of electrical and electronic goods on the environment, by increasing re-use and recycling and by reducing the amount of WEEE going to landfill. The symbol on the product, the accessories or packaging indicates that this device must not be treated as unsorted municipal waste, but must be collected separately! Dispose of the device via a collection point for the recycling of waste electrical and electronic equipment if you live within the EU and in other European countries that operate separate collection systems for waste electrical and electronic equipment. By disposing of the device in the proper manner, you help to avoid possible hazards for the environment and public health that could otherwise be caused by improper treatment of waste equipment. The recycling of materials contributes to the conservation of natural resources.

---

## **9.4 HOW TO DISPOSE OF PACKAGING WASTE**

---

The packaging is made of environmentally friendly materials, which may be disposed through your local recycling facilities. By disposing of the packaging and packaging waste in the proper manner, you help to avoid possible hazards for the environment and public health. The symbol on the packaging indicates that the packaging is made of PAP.

---

## **9.5 HOW TO DISPOSE OF BATTERIES**

---

The product contains a battery. Batteries may not be disposed of with the usual domestic waste. They may contain toxic heavy metals and are subject to hazard our waste regulations. For this reason, dispose of used rechargeable batteries at a local collection point.

---

**APPENDIXES**

# IV LICENSE AGREEMENT

---

**THIS LICENSE AGREEMENT GOVERNS THE USE OF THE SOFTWARE AND RELATED DOCUMENTATION (COLLECTIVELY, “THE SOFTWARE”) PROVIDED TO YOU BY STARK FUTURE. BEFORE USING THE SOFTWARE WITH THE APPLICABLE HARDWARE (COLLECTIVELY, “THE PRODUCT”), PLEASE CAREFULLY READ THIS AGREEMENT.**

By installing and/or using the Software, you (i) are confirming your acceptance of the Software and agreeing to become bound by the terms of Agreement, (ii) are representing that you are over the age of 18 years, (iii) are representing that you have the right and the authority to legally bind yourself or your legal entity, as applicable. If you do not accept the terms of this Agreement or you cannot make the above representations, do not use the Product.

## **1. Grant of License**

Subject to the terms and conditions of this agreement:

- (1) Stark Future grants to you a worldwide, non-exclusive, non-transferable, personal license (without the right to sub-license) to use the Software as embedded in the Product for the purpose of operating the Product, and to use the app portion(s) of the Software on any personal computing device owned or controlled by You during the term. Except as provided above, you may not transfer the Software to any other computing device or otherwise remove the Software from the Product. Notwithstanding any license granted herein by Stark Future, you acknowledge and agree that it is your sole responsibility to comply with any applicable and international copyright laws with respect to your use of the Software. You are responsible for ensuring your device meets the minimum requirements of Stark Future.
- (2) You agree not to copy, modify, reverse engineer, decompile, disassemble, or otherwise attempt to derive the source code of the Product, except to the extent that such restriction is expressly prohibited by applicable law. Any attempt to disable, bypass, or tamper with security measures embedded in the Software shall result in immediate termination of the license and may lead to legal action.

- (3) Stark Future reserves the right to audit the use of the Software at any time to ensure compliance with this Agreement. The user agrees to fully cooperate with any compliance verification process conducted by Stark Future or its authorized representatives. Non-compliance with audit requests may result in suspension or termination of the license.
- (4) Stark Future and its suppliers retain all right, title, and interest in and to all worldwide intellectual property rights embodied in the Software. Any unauthorized reproduction, modification, or distribution of the Software shall constitute a material breach of this Agreement and may result in legal consequences, including but not limited to, injunctive relief and monetary damages.
- (5) You agree not to reproduce, copy, distribute, resell or otherwise use the Software for any commercial purpose and you will not allow any third party to use the Software of or for the benefit of any third party.
- (6) You acknowledge and agree that the technology embedded in and used to create the Product constitute the valuable trade secrets and know-how of Stark Future, and to the extent you discover any such trade secrets, you will not disclose them to any third party.
- (7) Stark Future shall have no obligation to provide any updates or upgrades to the Product, but in the event that it does, such updates, upgrades, and any documentation shall be deemed the “Product” and shall be subject to the terms and conditions of this agreement.

## **2. Intellectual Property Ownership**

**2.1 Ownership of the Product.** The Product, including their “look and feel” (e.g., text, graphics, images, logos), proprietary content, information and other materials, are protected under copyright, trademark and other intellectual property laws. You agree that Stark Future and/or its licensors own all right, title and interest in and to the Product (including any and all intellectual property rights therein) and you agree not to take any action(s) inconsistent with such ownership interests. Stark Future reserves all rights in connection with the Product and its content (other than Your Content), including, without limitation, the exclusive right to create derivative works. You are prohibited from modifying, copying, reproducing, communicating to the public or distributing, in whole or in part, the Product or

any of its content for any public or commercial purposes, except with our prior written consent.

**2.2 Ownership of Trademarks.** The Company's name, trademarks, logo and all related names, logos, product and service names, designs and slogans are trademarks of Stark Future or its affiliates or licensors. Other names, logos, product and service names, designs and slogans that appear on the Products are the property of their respective owners, who may or may not be affiliated with, connected to, or sponsored by us.

**2.3 Ownership of Feedback.** We welcome feedback, comments and suggestions for improvements to the Product ("Feedback"). You acknowledge and expressly agree that any contribution of Feedback does not and will not give or grant you any right, title or interest in the Product or in any such Feedback. All Feedback becomes the sole and exclusive property of Stark Future, and the Company may use and disclose Feedback in any manner and for any purpose whatsoever without further notice or compensation to you and without retention by you of any proprietary or other right or claim. You hereby assign to Stark Future any and all right, title and interest (including, but not limited to, any patent, copyright, trade secret, trademark, show-how, know-how, moral rights and any and all other intellectual property right) that you may have in and to any and all Feedback.

**2.4 Your Content License Grant.** In connection with your use of the Product, including the Software, you may be able to post, upload, or submit content, information and other materials to be made available through the Product ("Your Content"). In order to operate the Product, we must obtain from you certain license rights in Your Content so that actions we take in operating it are not considered legal violations. Accordingly, by using the Product and uploading Your Content, you grant us a license to access, use, host, cache, store, reproduce, transmit, display, publish, distribute, and modify (for technical purposes, e.g., making sure content is viewable on smartphones as well as computers and other devices) Your Content but solely as required to be able to operate and provide the services related to the Product. You agree that these rights and licenses are royalty free, transferable, sub-licensable, worldwide and irrevocable (for so long as Your Content is stored with us), and include a right for us to make Your Content available to, and pass these rights along to, others with whom we

have contractual relationships related to the provision of the services and a correct use of the Product, solely for the purpose of providing such services, and to otherwise permit access to or disclose Your Content to third parties if we determine such access is necessary to comply with our legal obligations. As part of the foregoing license grant you agree that the other users of the Product shall have the right to comment on and/or tag Your Content and/or to use, publish, display, modify or include a copy of Your Content as part of their own use of the Product; except that the foregoing shall not apply to any of Your Content that you post privately for non-public display on the Services. To the fullest extent permitted by applicable law, the Stark Future reserves the right, and has absolute discretion, to remove, screen, edit, or delete any of Your Content at any time, for any reason, and without notice. By posting or submitting Your Content through the Product, you represent and warrant that you have, or have obtained, all rights, licenses, consents, permissions, power and/or authority necessary to grant the rights granted herein for Your Content. You agree that Your Content will not contain material subject to copyright or other proprietary rights, unless you have the necessary permission or are otherwise legally entitled to post the material and to grant us the license described above.

#### **6.5 Notice of Infringement – DMCA (Copyright) Policy**

**Applicable to United States of America.** If you believe that any text, graphics, photos, audio, videos or other materials or works uploaded, downloaded or appearing on the Product have been copied in a way that constitutes copyright infringement, you may submit a notification to our copyright agent in accordance with 17 USC 512(c) of the Digital Millennium Copyright Act (the “DMCA”), by providing the following information in writing:

- (a) identification of the copyrighted work that is claimed to be infringed;
- (b) identification of the allegedly infringing material that is requested to be removed, including a description of where it is located on the Product;
- (c) information for our copyright agent to contact you, such as an address, telephone number and e-mail address;

- (d) a statement that you have a good faith belief that the identified, allegedly infringing use is not authorized by the copyright owners, its agent or the law;
- (e) a statement that the information above is accurate, and under penalty of perjury, that you are the copyright owner or the authorized person to act on behalf of the copyright owner; and
- (f) the physical or electronic signature of a person authorized to act on behalf of the owner of the copyright or of an exclusive right that is allegedly infringed.

Notices of copyright infringement claims should be sent by email to: Stark Future USA LLC at [support@starkfuture.com](mailto:support@starkfuture.com) (Concept: “Copyright infringement”). It is our policy, in appropriate circumstances and at our discretion, to disable or terminate the accounts of users who repeatedly infringe copyrights or intellectual property rights of others.

A user of the Services who has uploaded or posted materials identified as infringing as described above may supply a counter-notification pursuant to sections 512(g)(2) and (3) of the DMCA. When we receive a counter-notification, we may reinstate the posts or material in question, in our sole discretion. To file a counter-notification with us, you must provide a written communication (by fax or regular mail or by email) that sets forth all of the items required by sections 512(g)(2) and (3) of the DMCA. Please note that you will be liable for damages if you materially misrepresent that content or an activity is not infringing the copyrights of others.

### **3. Term of agreement**

You may terminate this agreement at any time by notifying Stark Future, discontinuing use of the Product and purging the software from your computing device.

This agreement will also terminate immediately if you fail to comply with any term of this agreement. Upon such termination, the licenses granted by this agreement will immediately terminate and you agree to stop all access and use of the Software. The provisions that by their nature continue and survive will survive any termination.

# IV DATA PROTECTION

---

This Privacy Policy for STARK FUTURE S.L. (“**Company**”, “**we**”, “**us**” “**our**”) describes how we collect, use and disclose information about users of the electric motorcycles sold by the Company, along with any spare parts, accessories, clothing, tools or other related products (the “**Products**”) and the mobile application incorporated into the Company’s electric motorcycles (the “**Platform**”) as well as any related services, tools and features (collectively, the “**Services**”). For the purpose of applicable data protection laws, we are the data controller. For the purposes of this Privacy Policy, “**you**” and “**your**” means the end-user of the Services.

Please read this Privacy Policy carefully. By using the Products and the Platform, accessing or downloading any of the Services, you agree to the collection, use and disclosure of your information as described in this Privacy Policy. If you do not agree to this Privacy Policy, please do not use, access or download any of the Services.

## 1. Updating this privacy policy

We may modify this Privacy Policy from time to time.

You can find an updated version of our Data Protection Policy: [starkfuture.com/terms](https://starkfuture.com/terms) ↗

If we make material changes to the way in which we use information we collect, we will use reasonable efforts to notify you, such as by emailing you at the last email address you provided us or by posting notice of such changes on the Services, as well as take such other steps as required by applicable law. **If you do not agree to any updates to this Privacy Policy, please do not access or continue to use the Services.**

## 2. Company’s collection and use of information

When you access or use the Services, we may collect certain categories of information about you from a variety of sources. Some features of the Services may require you to directly enter certain information about yourself. You may elect not to provide this information, but doing so may prevent you from using or accessing these features. The below table explains our current practices, and our

practices for the past 12 months related to: (i) categories of personal information we collect about you; (ii) the purposes for collecting your personal information, and (iii) whether we disclose your personal information, and if so, to whom.

#### **a) Identifiers**

**Type of information:** Full name, Email, Account username and password, Profile picture, Identification number, Social media login information, Telephone number, Information about your device (i.e., IP address, operating system, device ID, browser type)

**Source of information:** User entry; user's browser; offline collection (i.e., at a Stark Future store, event, test ride or over the phone)

**Purpose of collection:** To create an account; to facilitate login to the Services and to facilitate transactions on the Services in order to fulfill our contract with you; to communicate with you (i.e., through newsletters, text messages, email and responses to queries submitted by you) with your consent or in our legitimate business interests; to enter you in promotional contests you sign up for; to fulfill any applicable legal obligations (i.e., anti-money laundering purposes)

**Disclosure:** Service providers and vendors; third party sponsors of promotional contests you sign up for.

#### **b) Characteristics of Protected Classifications**

**Type of information:** Date of birth, Nationality or Language of preference

**Source of information:** User entry; offline collection (i.e., at a Stark Future store, event, test ride or over the phone)

**Purpose of collection:** To create an account and to facilitate transactions on the Services in order to fulfill our contract with you; to communicate with you (i.e., through newsletters and responding to queries) in our legitimate business interests or with your consent; and to fulfill any applicable legal obligations (i.e., anti-money laundering purposes)

**Disclosure:** Service providers and vendors

#### **c) Payment Information**

**Type of information:** Bank account number, Credit or debit card information

**Source of information:** User entry; offline collection (i.e., at a Stark Future store, event, test ride or over the phone)

**Purpose of collection:** To facilitate transactions on the Services and to process your payment fulfill our contract

with you; and to fulfill any applicable legal obligations (i.e., anti-money laundering purposes)

Disclosure: Service providers and vendors

#### **d) Geolocation Data**

**Type of information:** Country of residence, Mailing address, Precise location

**Source of information:** User entry; automatic collection from Product

**Purpose of collection:** To create an account and to facilitate transactions on the Services order to fulfill our contract with you; to communicate with you (i.e., through newsletters and responding to queries) with your consent or in our legitimate business interests; to troubleshoot and provide support services in our legitimate business interests; to notify first responders and emergency contacts in case of an accident in our legitimate business interests to offer this service to you; for theft prevention; for navigation purposes; and to fulfill any applicable legal obligations (i.e., anti-money laundering purposes)

Disclosure: Service providers and vendors; emergency responders

#### **e) Product Data**

**Type of information:** Vehicle identification number, Data about issues that could impair operation of the vehicle, Data about safety-critical issues, Riding data (i.e., speed, RPM, g-force, ride duration, time of ride, etc.), Battery health, Service history (i.e., repairs, outstanding recalls, outstanding bills, etc.), Product complaint history, Telematics log data (i.e., condition of vehicle, speed information, electrical system functions, software version, infotainment system data), GPS location, Road segment data, Contacts, Browsing history, Safety analysis data (i.e., accident data, g-force data and images, recent sensor data etc.), Vehicle connectivity information.

**Source of information:** User entry; automatic collection from Product

**Purpose of collection:** To ensure the safety and proper operation of your Products to comply with law; to personalize recommendations for your Product and to provide periodic software and firmware updates with your consent or in our legitimate business interests; to troubleshoot and provide support services to fulfill our contract with you; to notify first responders and emergency contacts in case of an accident in our legitimate business interests to offer this service to you; and to fulfill any applicable legal obli-

gations (i.e., anti-money laundering purposes)

**Disclosure:** Service providers and vendors; mapping partners; motorcycle dealers; emergency responders

#### **f) Commercial Information**

**Type of information:** Platform usage data, Purchased Products, Navigation habits

**Source of information:** Automatic collection from the Platform and Products

**Purpose of collection:** To monitor and manage use of the Platform and to better tailor the Platform to you in order to fulfill our legitimate business interests; and to fulfill our legal obligations (i.e., anti-money laundering purposes)

**Disclosure:** Service providers and vendors

We may obtain information about you from outside sources. Such information may include:

- **INFORMATION WE COLLECT ABOUT YOU FROM OTHER SOURCES, SUCH AS:**
  - **SOCIAL MEDIA PLATFORMS (E.G., WOOMIO, META OR INSTAGRAM)**
  - **MARKETING PARTNERS (E.G., META, GOOGLE)**
  - **BUSINESS PARTNERS (E.G., MOTORCYCLE DEALERS, VODAFONE)**

Any information we receive from outside sources will be treated in accordance with this Privacy Policy. We are not responsible or liable for the accuracy of the information provided to us by third parties and are not responsible for any third party's policies or practices. See Section 7 below for more information.

In addition to the foregoing, we may use any of the above information to comply with any applicable legal obligations, to enforce any applicable terms of service, and to protect or defend the Services, our rights, and the rights of our users or others.

### **3. How the company shares your information**

In certain circumstances, the Company may share your information with third parties for legitimate purposes subject to this Privacy Policy. Such circumstances may include:

- **WITH VENDORS OR OTHER SERVICE PROVIDERS FOR BUSINESS PURPOSES IN OUR LEGITIMATE INTERESTS, OR TO PERFORM A CONTRACT WITH YOU SUCH AS:**
  - **PAYMENT PROCESSORS (E.G., STRIPE)**
  - **PROVIDERS OF PRODUCT-RELATED SERVICES (E.G., MICROSOFT)**

- MAPPING SERVICE PROVIDERS (E.G., HERE)
- ADVERTISING SERVICE PROVIDERS (E.G., GOOGLE, META)
- DATA ANALYTICS VENDORS (E.G., GOOGLE, HOTJAR)
- CLOUD STORAGE PROVIDERS (E.G. AMAZON WEB SERVICES, SNOWFLAKE)
- WEB HOSTING PROVIDERS (E.G., AMAZON WEB SERVICES, GODADDY)
- EMAIL MARKETING SERVICES VENDORS (E.G., MAILCHIMP)
- EMERGENCY RESPONDERS
- MOTORCYCLE DEALERS
- WITH OUR AFFILIATES OR OTHERWISE WITHIN OUR CORPORATE GROUP, IN OUR LEGITIMATE INTERESTS
- WITH THIRD PARTY SPONSORS OF OUR PROMOTIONAL CONTESTS (IF YOU ELECT TO PARTICIPATE) WITH YOUR CONSENT OR IN ORDER TO PERFORM A CONTRACT WITH YOU
- WITH THIRD PARTIES FOR MARKETING PURPOSES
- TO COMPLY WITH APPLICABLE LAW OR ANY OBLIGATIONS THEREUNDER, INCLUDING COOPERATION WITH LAW ENFORCEMENT, JUDICIAL ORDERS, AND REGULATORY INQUIRIES
- TO GOVERNMENTAL AUTHORITIES IN CONNECTION WITH OUR PARTICIPATION IN GOVERNMENT-FUNDED ENVIRONMENTAL PROGRAMS IN OUR LEGITIMATE INTERESTS OR AS REQUIRED BY LAW
- IN CONNECTION WITH AN ASSET SALE, MERGER, BANKRUPTCY, OR OTHER BUSINESS TRANSACTION IN OUR LEGITIMATE INTERESTS
- TO ENFORCE ANY APPLICABLE TERMS OF SERVICE FOR BUSINESS PURPOSES IN OUR LEGITIMATE INTERESTS, OR TO PERFORM A CONTRACT WITH YOU
- TO ENSURE THE SAFETY AND SECURITY OF THE COMPANY AND/OR ITS USERS FOR BUSINESS PURPOSES IN OUR LEGITIMATE INTERESTS, TO PERFORM A CONTRACT WITH YOU OR TO COMPLY WITH APPLICABLE LAW
- WHEN YOU REQUEST US TO SHARE CERTAIN INFORMATION WITH THIRD PARTIES, SUCH AS THROUGH YOUR USE OF SOCIAL MEDIA WIDGETS OR LOGIN INTEGRATIONS WITH YOUR CONSENT

- **WITH PROFESSIONAL ADVISORS, SUCH AS AUDITORS, LAW FIRMS, OR ACCOUNTING FIRMS FOR BUSINESS PURPOSES IN OUR LEGITIMATE INTERESTS**

#### **4. Where we store your information**

Personal information may be exported outside of the jurisdiction in which you reside. Under those circumstances, the governments, courts, law enforcement or regulatory agencies of that country or those countries may be able to obtain access to your personal information through foreign laws. You need to be aware that the privacy standards of those countries may be lower than those of the jurisdiction in which you reside. You should note that you are not obliged to give your personal information to us, but if you choose not to do so, we may not be able to provide our services, or your access to our Services may be limited. For any transfers of data outside the EEA or the UK, we will take appropriate measures in accordance with the GDPR to ensure that the recipient protects your personal information adequately in accordance with this Privacy Policy. These measures may include: entry into European Commission approved standard contractual arrangements (“Model Clauses”). Please contact [support@starkfuture.com](mailto:support@starkfuture.com) should you wish to examine a copy of the Model Clauses.

#### **5. User generated content**

Certain features of the Services may allow you to upload content (i.e., profile pictures, message boards, etc.) (“User-Generated Content” or “UGC”). We or others may store, display, reproduce, publish, or otherwise use UGC, and may or may not attribute it to you. Others may also have access to UGC and may have the ability to share it with third parties. If you choose to submit UGC to any public area of the Services, your UGC will be considered “public” and will be accessible by anyone, including the Company. Please note that we do not control who will have access to the information that you choose to make available to others, and cannot ensure that parties who have access to such information will respect your privacy or keep it secure. We are not responsible for the privacy or security of any information that you make publicly available on the features permitting creation of UGC or what others do with information you share with them on such platforms. We are not responsible for the accuracy, use or misuse of

any UGC that you disclose or receive from third parties through the forums or email lists.

## **6. Cookies and other tracking technologies**

Most browsers accept cookies automatically, but you may be able to control the way in which your devices permit the use of cookies, web or app beacons/clear gifs and other geolocation tracking technologies. If you so choose, you may block or delete our cookies from your browser; however, blocking or deleting cookies may cause some of the services, including any portal features and general functionality, to work incorrectly.

You can find an updated version of our Cookies Policy: [starkfuture.com/terms](https://starkfuture.com/terms) ↗

If you have questions regarding the specific information about you that we process or retain, as well as your choices regarding our collection and use practices, please contact us using the information listed below.

## **7. How long do we store your personal information?**

We will retain certain Product Data during the lifetime of the motorbike and for the maximum period as established by applicable legislation. We will also retain and use your personal information to the extent necessary to comply with our legal obligations, resolve disputes and enforce our terms and conditions, other applicable terms of service, and our policies.

## **8. Children's privacy**

Children under the age of 13 are not permitted to use the Services, and we do not seek or knowingly collect any personal information about children under 13 years of age. If you are the parent or guardian of a child under 13 years of age who has provided us with personal information, you may contact us using the information below to request that it be deleted.

## **9. Data security**

We have implemented commercially reasonable measures designed to protect the confidentiality, integrity, and security of your information. Please be aware though that, despite our reasonable efforts, no security measures are perfect or impenetrable, and we cannot guarantee “perfect security.” Please further note that any information you send to us electronically, while using the Services or other-

wise interacting with us, may not be secure while in transit. We recommend that you do not use insecure channels to communicate sensitive or confidential information to us.

## **10. California privacy rights**

This Section only applies to California residents. For purposes of this Section 10, “personal information” for California residents has the meaning given in the California Consumer Privacy Act (“CCPA”) but does not include information exempted from the scope of the CCPA. In the past 12 months, we have collected the categories of information we set out in Section 2 above.

You may have the rights listed below in relation to personal information we have collected about you. However, these rights are not absolute, and in certain cases, we may decline your request as permitted by law.

- **RIGHT TO KNOW REQUEST. YOU HAVE A RIGHT TO REQUEST THE FOLLOWING INFORMATION ABOUT OUR COLLECTION, USE AND DISCLOSURE OF YOUR PERSONAL INFORMATION OVER THE PRIOR 12 MONTHS AND ASK THAT WE PROVIDE YOU WITH A COPY OF THE FOLLOWING INFORMATION TO THE EXTENT SUCH INFORMATION IS CONTROLLED BY THE COMPANY:**
  - **CATEGORIES OF AND SPECIFIC PIECES OF PERSONAL INFORMATION WE HAVE COLLECTED ABOUT YOU;**
  - **CATEGORIES OF SOURCES FROM WHICH WE COLLECT PERSONAL INFORMATION;**
  - **THE BUSINESS OF COMMERCIAL PURPOSES FOR COLLECTING PERSONAL INFORMATION;**
  - **CATEGORIES OF THIRD PARTIES TO WHOM THE PERSONAL INFORMATION WAS DISCLOSED FOR A BUSINESS PURPOSE; AND**
  - **CATEGORIES OF PERSONAL INFORMATION DISCLOSED ABOUT YOU FOR A BUSINESS PURPOSE.**
- **RIGHT TO DELETE REQUEST. UNDER THE CCPA, YOU HAVE A RIGHT TO REQUEST THAT WE DELETE PERSONAL INFORMATION, SUBJECT TO CERTAIN EXCEPTIONS.**
- **RIGHT TO OPT-OUT. UNDER THE CCPA, YOU HAVE THE RIGHT TO OPT-OUT OF THE “SALE” OF YOUR PERSONAL INFORMATION**

AS DEFINED UNDER THE CCPA. YOU ALSO HAVE THE RIGHT TO OPT-IN TO THE SALE OF PERSONAL INFORMATION. HOWEVER, WE DO NOT SELL YOUR PERSONAL INFORMATION AND HAVE NOT DONE SO IN THE PAST 12 MONTHS.

- **RIGHT TO UPDATE. YOU HAVE A RIGHT TO UPDATE AND/OR CORRECT ANY PERSONAL INFORMATION WE HAVE COLLECTED AND WHICH CONTINUES TO BE NEEDED FOR THE PURPOSES DESCRIBED IN THIS PRIVACY POLICY.**

You may make a request described above by emailing [support@starkfuture.com](mailto:support@starkfuture.com). We may need to collect information from you to verify your identity, such as your email address, government issued ID or date of birth, before providing a substantive response to the request. You may designate, in writing or through a power of attorney document, an authorized agent to make requests on your behalf to exercise your rights. Before accepting such a request from an agent, we will require that the agent provide proof you have authorized them to act on your behalf, and we may need you to verify your identity directly with us.

**We will not discriminate against you for exercising any of your rights under the CCPA or similar laws of other jurisdictions, as applicable.**

#### *Sharing for Direct Marketing Purposes*

California law permits users in California to request certain details about how their “personal information” (as defined in California Civil Code Section 1798.83) is shared with third parties for direct marketing purposes. We may from time to time elect to share certain “personal information” about you with third parties for those third parties’ direct marketing purposes. California users may, under certain circumstances, request and obtain certain information regarding our disclosure, if any, of personal information to third parties for their direct marketing purposes. If this applies, you may obtain the categories of personal information shared and the names and addresses of all third parties that received personal information for their direct marketing purposes during the immediately prior calendar year.

To make such a request, please contact us using the information listed below. Please note that we are only required to respond to one request per California resident each year.

## 11. EEA and UK rights

If you are located in the EEA or the UK, you have certain rights in relation to your personal information:

- **ACCESS: YOU HAVE THE RIGHT TO ACCESS PERSONAL INFORMATION WE HOLD ABOUT YOU, HOW WE USE IT, AND WHO WE SHARE IT WITH.**
- **PORTABILITY: YOU HAVE THE RIGHT TO RECEIVE A COPY OF THE PERSONAL INFORMATION WE HOLD ABOUT YOU AND TO REQUEST THAT WE TRANSFER IT TO A THIRD PARTY, IN CERTAIN CIRCUMSTANCES AND WITH CERTAIN EXCEPTIONS.**
- **CORRECTION: YOU HAVE THE RIGHT TO CORRECT ANY OF YOUR PERSONAL INFORMATION WE HOLD THAT IS INACCURATE.**
- **ERASURE: IN CERTAIN CIRCUMSTANCE, YOU HAVE THE RIGHT TO DELETE THE PERSONAL INFORMATION WE HOLD ABOUT YOU.**
- **RESTRICTION OF PROCESSING TO STORAGE ONLY: YOU HAVE THE RIGHT TO REQUIRE US TO STOP PROCESSING THE PERSONAL INFORMATION WE HOLD ABOUT YOU, OTHER THAN FOR STORAGE PURPOSES, IN CERTAIN CIRCUMSTANCES.**
- **OBJECTION: YOU HAVE THE RIGHT TO OBJECT TO OUR PROCESSING OF YOUR PERSONAL INFORMATION.**
- **OBJECTION TO MARKETING: YOU CAN OBJECT TO MARKETING AT ANY TIME BY OPTING-OUT USING THE UNSUBSCRIBE/ OPT-OUT FUNCTION DISPLAYED IN OUR COMMUNICATIONS TO YOU.**
- **WITHDRAWAL OF CONSENT: WHERE WE RELY ON CONSENT TO PROCESS YOUR PERSONAL INFORMATION, YOU HAVE THE RIGHT TO WITHDRAW THIS CONSENT AT ANY TIME BY EMAILING US AT [SUPPORT@STARKFUTURE.COM](mailto:SUPPORT@STARKFUTURE.COM) WITHOUT AFFECTING THE LAWFULNESS OF PROCESSING BASED ON CONSENT BEFORE ITS WITHDRAWAL.**

To exercise any of these rights, you can contact [support@starkfuture.com](mailto:support@starkfuture.com). We will respond to requests to exercise these rights without undue delay and at least within one month (though this may be extended by a further two

months in certain circumstances).

If you are an EEA or UK resident and think we have infringed data protection laws, you can file a claim with the data protection supervisory authority in the EEA country in which you live or work or where you think we have infringed data protection laws, or with the UK Information Commissioner's Office, as applicable to you.

## **12. How to contact us**

Should you have any questions about our privacy practices or this Privacy Policy, please email us at [support@starkfuture.com](mailto:support@starkfuture.com).

## VI WARRANTY

---

Stark Future warrants that the Stark Future Products are free of manufacturing defects in material and workmanship when delivered. Likewise, Stark Future assures that all Products are produced with the purpose of being used. They are produced to deliver the perfect balance between the highest performance and quality possible. With this in mind, it doesn't mean they are indestructible.

Stark Future will be liable for any defects arising in the Products within two years from the date of delivery to the acquiring end-user, except otherwise specified in local regulations that may apply to you. The use of Spare Parts for warranty claims shall not extend the original warranty period, except otherwise specified by applicable Law.

The legal warranty may imply that, if necessary, the product is repaired by Stark Future, replaced by another of similar characteristics or even returned to you. In any event, depending on the applicable local legislation and the specific circumstances of the faulty Product, the specific conditions may vary.

Stark Future reserves the right to decide whether to repair or replace and to use a new, reconditioned or remanufactured part in the warranty repair process, as long as the Motorcycle conforms to the warranty. Stark Future reserves the right to decide on goodwill terms if a repair could be carried out partially or totally free of cost outside the warranty period.

**The warranty does not cover** (i) any failures resulting from, or caused by lack of proper maintenance, (ii) modification, alterations and installation of parts or accessories that have not been manufactured or delivered by Stark Future as original equipment, (iii) damages due to accident, collision, abuse or neglect, (iv) damages to the paint, coatings or corrosion of metal parts due to external influences such as stones, salt, industrial exhaust gasses, inadequate cleaning with inadequate cleaning products, (v) fading of painted or metal coated surfaces or damages due to water submersion, (vi) vehicles that have been used in sporting official competition or have been used in rental services or for commercial purposes, (vii) damages

caused by ordinary wear and tear, (ix) vehicles that have not been properly maintained in accordance with the prescriptions of the Owner's Manual or (x) vehicles that have been repaired by unauthorized parties disregarding specific instructions of Stark Future.

**The warranty does not apply** in the event of abuse, neglect, carelessness, using the Product in any way other than intended, damage (accident, misuse, vandalism, etc.); natural disasters (flood, hail, earthquakes, lighting, etc.), replacement with any part or accessory other than original Stark Future parts and Product or an attempt of reparation or modification unless expressly permitted in writing by Stark Future.

The end-user is responsible for maintaining their motorcycle in accordance with this manual and is fully responsible for the costs of maintenance to the motorcycle including service at scheduled intervals. Failures caused directly by lack of maintenance or improper maintenance will void the warranty. In particular, failure to strictly comply with the Maintenance Schedule contained in this Manual will void the warranty.

The warranty applies to warranty claims arising in the jurisdiction where the Product and/or Services have been delivered.

If you wish to claim a warranty on a Stark Future Product, please email us a clear description of what has happened, as well as a picture of the faulty product.

You should send any warranty claims or queries at [support@starkfuture.com](mailto:support@starkfuture.com) including your full name, address, telephone number, product model and vehicle identification number, date of purchase and detailed nature of the problem.

As soon as any incident or warranty repair request has been communicated to us, Stark Future will inform the end-user how to proceed and, if applicable, the official dealers of Stark Future in a specific jurisdiction or region. All warranty work must be performed according to the instructions specifically given by Stark Future.

The end-user may be asked to provide certain documentation of proper maintenance: a maintenance record which displays the date of service and service work performed, copies of repair orders/ receipts, a statement that the owner performed the service work including receipts for

the replacement parts/ filters/ fluids etc. that were used to complete the service.

Stark Future does not authorize any company or person to create a liability or any warranty obligation on its own behalf. Stark Future in its sole discretion will make the final disposition of any components submitted for warranty evaluation. All parts and components returned to Stark Future and replaced under this warranty shall become the property of Stark Future.

## **VII DISCLAIMER**

---

EXCEPT AS EXPRESSLY SET FORTH HEREIN, STARK FUTURE DISCLAIMS ALL OTHER WARRANTIES, EXPRESS OR IMPLIED, INCLUDING THE IMPLIED WARRANTIES OF MERCHANTABILITY AND FITNESS FOR A PARTICULAR PURPOSE. TO THE MAXIMUM EXTENT PERMITTED BY APPLICABLE LAW, STARK DISCLAIMS ALL LIABILITY FOR ANY CONSEQUENCES ARISING FROM THE USE OR HANDLING OF ANY PRODUCT.

ALSO EXCLUDED FROM THIS WARRANTY ARE ANY INCIDENTAL OR CONSEQUENTIAL DAMAGES INCLUDING LOSS OF USE. SOME JURISDICTIONS DO NOT ALLOW LIMITATIONS ON HOW LONG AN IMPLIED WARRANTY LASTS, SO THE ABOVE LIMITATIONS MAY NOT APPLY TO YOU.

STARK FUTURE RESERVES THE RIGHT TO REVISE AND AMEND THIS MANUAL AT ANY TIME WITHOUT INCURRING AN OBLIGATION TO NOTIFY ANY END-USER OF THE REVISION. STARK FUTURE NOR ANY OF ITS AFFILIATES OR SUBSIDIARIES SHALL BE RESPONSIBLE OR LIABLE FOR MISUSE OF THE INFORMATION CONTAINED HEREIN. END-USERS SHALL COMPLY WITH ALL APPLICABLE LOCAL, REGIONAL, ESTATE, NATIONAL OR SUPRANATIONAL LEGISLATION AND SAFETY REGULATIONS SHALL BE CAREFULLY OBSERVED WHEN USING THE PRODUCT. FAILURE TO OBSERVE THIS OBLIGATIONS MAY RESULT IN FATAL INJURY OR EQUIPMENT DAMAGE.

starkfuture.com

ENG 2025-05 Rev.1

Copyright © 2025 Stark Future SL. All rights reserved.  
Reproduction, even in part, as well as copying of all kinds,  
is permitted only with the express written permission  
of the copyright owner.

**STARK FUTURE**